



# Quick



## INSTALLATION, OPERATING AND MAINTENANCE GUIDE

**CE**

**220-240V 50/60Hz**

## Chapters

<b>I</b>	<b>GENERAL</b> .....	<b>4</b>
<b>II</b>	<b>WARNINGS</b> .....	<b>5</b>
<b>III</b>	<b>INSTALLATION</b> .....	<b>9</b>
	III.1 PRELIMINARY INDICATIONS.....	9
	III.2 INSTALLATION.....	11
	III.2.a INDUCTION HOB INSTALLATION.....	14
	III.2.b ASPIRATION INSTALLATION.....	17
	III.3 ELECTRICAL CONNECTION.....	21
<b>IV</b>	<b>OPERATION</b> .....	<b>24</b>
	IV.1 DESCRIPTION OF THE INDUCTION HOB.....	24
	IV.1.a TECHNICAL CHARACTERISTICS.....	24
	IV.1.b BASIC CONTROL CHARACTERISTICS.....	24
	IV.2 USE OF THE INDUCTION HOB.....	25
	IV.2.a AUTO-LOCK.....	25
	IV.2.b SWITCH ON/OFF THE COOKTOP.....	25
	IV.2.c SWITCH ON A HEATER ZONE.....	26
	IV.2.d SWITCH OFF A HEATER ZONE.....	27
	IV.2.e SELECTION OF HEATER'S TIMER /WARM FUNCTION.....	27
	IV.2.f INCREASE / DECREASE POWER LEVEL WITH SLIDER.....	27
	IV.2.g BOOSTER FUNCTION.....	28
	IV.2.h BRIDGE FUNCTION.....	28
	IV.2.i HEAT-UP FUNCTION.....	29
	IV.2.l SECURITY.....	30
	IV.2.m SOFTWARE VERSION VISUALIZATION.....	30
	IV.2.n TIMER.....	31
	IV.2.o AUTOMATIC SAFETY OFF.....	33
	IV.2.p RESIDUAL HEAT INDICATION.....	33
	IV.2.q POT DETECTION.....	33
	IV.2.r DISPLAYING SPECIAL STATUSES IN TOUCH CONTROL.....	34
	IV.3 COOKING ADVICES.....	34
	IV.3.a PAN QUALITY.....	34
	IV.3.b PAN DIMENSION.....	35
	IV.4 COOKER HOOD OPERATION.....	35
	IV.4.a ASPIRATION TURN ON.....	37
	IV.4.b ASPIRATION TURN OFF.....	37
	IV.4.c CLEANING FUNCTION.....	37
	IV.4.d ADJUSTABLE AND DELAYED SELF-SWITCHING OFF.....	37
	IV.4.e ANTI GREASE FILTER CLEANING ALARM.....	38
	IV.4.f CHARCOAL FILTER CLEANING ALARM.....	38
	IV.4.g PRESENCE OF LIQUIDS INSIDE THE DEVICE.....	38
<b>V</b>	<b>CLEANING AND MAINTENANCE</b> .....	<b>40</b>
	V.1 INDUCTION HOB CLEANING.....	40
	V.2 COOKER HOOD CLEANING.....	40
<b>VI</b>	<b>WHAT TO DO IN CASE OF A PROBLEM</b> .....	<b>42</b>
	VI.1 ERRORS / ALARMS.....	42
<b>VII</b>	<b>DISCONTINUATION, DISASSEMBLY AND WASTE DISPOSAL</b> .....	<b>43</b>
	VII.1 DISCONTINUATION.....	43
	VII.2 DISASSEMBLY.....	43
	VII.3 ENVIRONMENT PRESERVATION.....	43
	VII.4 WASTE DISPOSAL.....	43

## GENERAL

This guide describes the appliance and its use. This guide is an integral part of the appliance itself and has to be retained with the appliance and ALWAYS accompany it, even in case of its assignment to another owner or user or in case the cooker hood is moved to another installation plant.

The aspiration system is composed by three appliances:

- Two induction hobs;
- An integrated cooker hood.

The appliances are electrically and functionally independent.

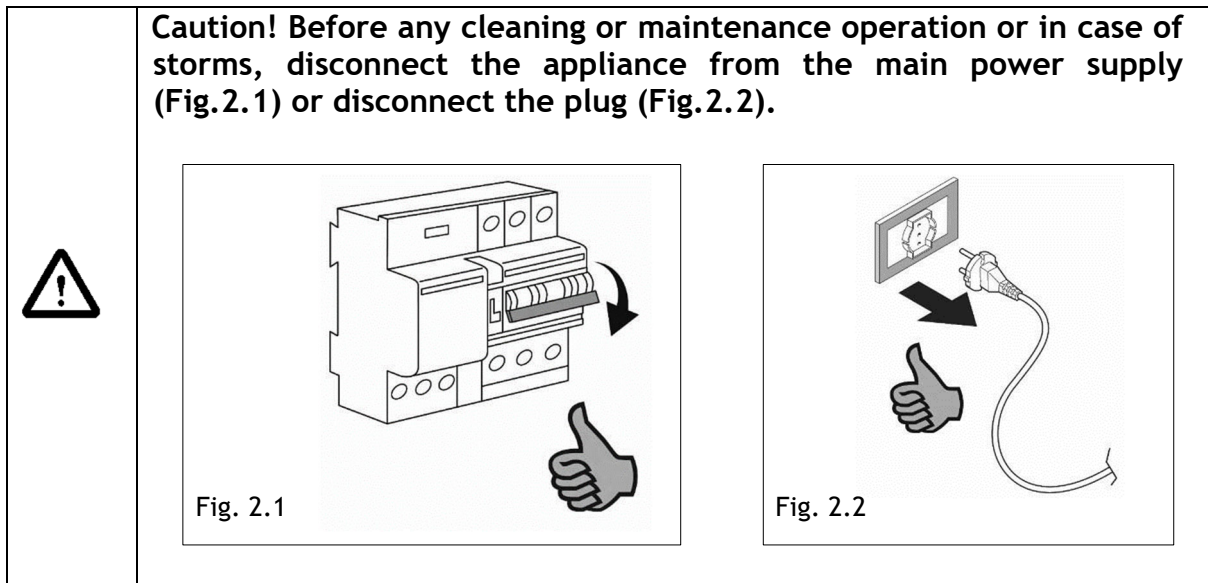
*The Manufacturer strives for continuous improvements.*

*For this reason, the text and illustrations in this guide may change without notice.*

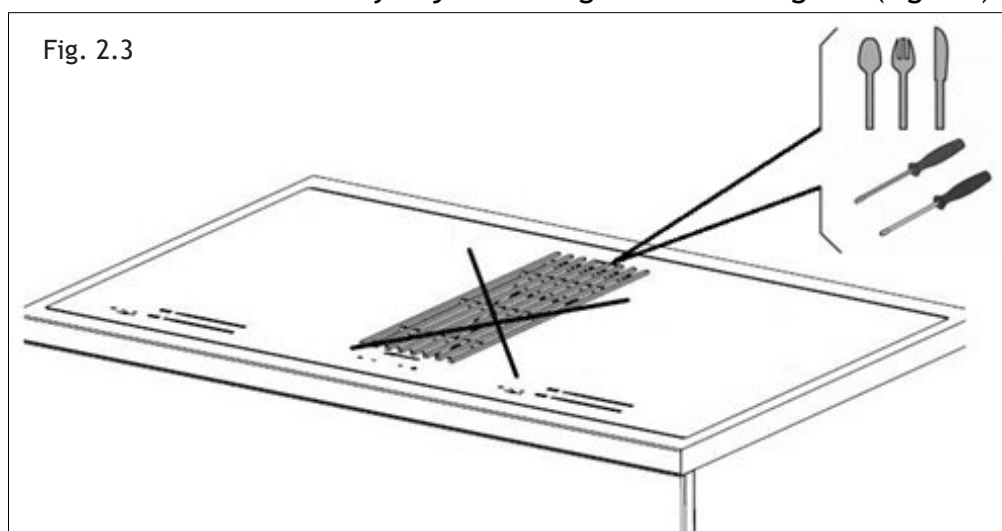
## II WARNINGS

**CAUTION:** This appliance has not been designed for gas hobs.

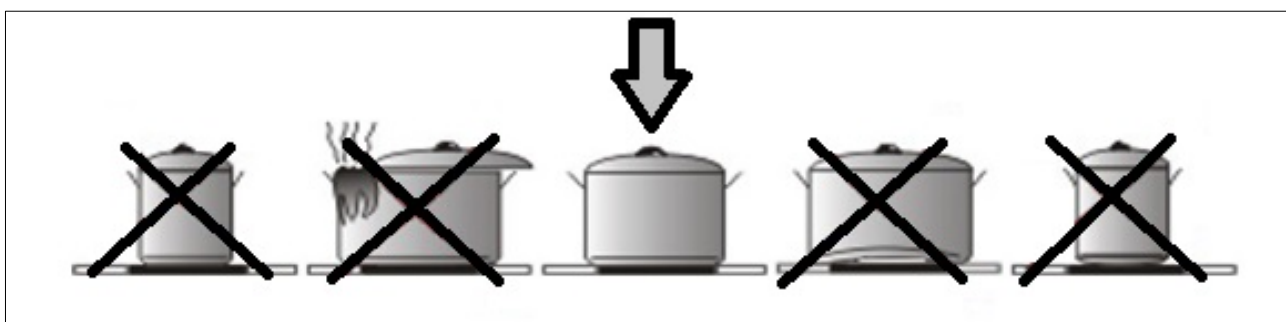
- This appliance is manufactured according to the safety standards in force.
- The use of this appliance must not be other than the one it has been designed for; this means as an induction hob for cooking in domestic kitchens with an integrated aspiration for cooking fumes;
- The manufacturer does not accept any liability for damages caused by people, animals or things, by installation and maintenance mistakes or by any illegitimate use.



- While the induction hob is active, even the aspiration parts adjacent to the induction hob may become hot.
- There is a possibility of fire if the cleaning operations are not carried out as indicated in the instructions.
- Don't use high-pressure steam cleaner or hot steam to clean the appliance;
- It is forbidden to introduce any object through the central grille (fig.2.3).



- Do not use the appliance for room heating;
- If there is a wall power outlet located near the appliance and another appliance is plugged into it, make sure the power cord does not come into contact with the hot cooking zones;
- It is forbidden to pull, disconnect, twist the electrical wiring out of the appliance even if it is disconnected from the power supply;
- Do not flambé.
- In order to avoid any undesired disturbance on the touch control, place correct pots inside the marked place of the glass ceramic surface.



### Precautions before using

- Unpack all the materials.
- The installation and connecting of the appliance have to be done by approved specialists. The manufacturer cannot be responsible for damage caused by building-in or connecting errors.
- To be used, the appliance must be well-equipped and installed in a kitchen unit and an adapted and approved work surface.
- This domestic appliance is exclusively for the cooking of food, to the exclusion of any other domestic, commercial or industrial use.
- Remove all labels and self-adhesives from the ceramic glass.
- Do not change or alter the appliance.
- The cooking plate cannot be used as freestanding or as working surface.
- The appliance must be grounded and connected conforming to local standards.
- Do not use any extension cable to connect it.
- The appliance cannot be used above a dishwasher or a tumble-dryer: steam may damage the electronic appliances.
- The appliance is not intended to be operated by means of external timer or separate remote-control system.

## Using the appliance

- Switch the heating zones off after using.
- Keep an eye on the cooking using grease or oils: that may quickly ignite.
- Be careful not to burn yourself while or after using the appliance.
- Make sure no cable of any fixed or moving appliance contacts with the glass or the hot saucepan.
- Magnetically objects (credit cards, floppy disks, calculators) should not be placed near to the engaged appliance.
- Metallic objects such as knives, forks, spoons and lids should not be placed on the hob surface since they can get hot.
- In general, do not place any metallic object except heating containers on the glass surface. In case of untimely engaging or residual heat, this one may heat, melt or even burn.
- Never cover the appliance with a cloth or a protection sheet. This is supposed to become very hot and catch fire.
- This appliance can be used by children aged from 8 years and above and persons with reduced physical, sensory or mental capabilities or lack of experience and knowledge if they have been given supervision or instruction concerning use of the appliance in a safe way and understand the hazards involved.
- Children shall not play with the appliance.
- Cleaning and user maintenance shall not be made by children without supervision.

## Precautions not to damage the appliance

- Raw pan bottoms or damaged saucepans (not enameled cast iron pots,) may damage the ceramic glass.
- Sand or other abrasive materials may damage ceramic glass.
- Avoid dropping objects, even little ones, on the ceramic-glass.
- Do not hit the edges of the glass with saucepans.
- Make sure that the ventilation of the appliance works according to the manufacturer's instructions.
- Do not put or leave empty saucepans on the ceramic-glass hobs.
- Sugar, synthetic materials or aluminum sheets must not contact with the heating zones. These may cause breaks or other alterations of the ceramic-glass glass by cooling: switch on the appliance and take them immediately out of the hot heating zone (be careful: do not burn yourself).



- **WARNING:** Unattended cooking on a hob with fat or oil can be dangerous and may result in fire.
- **CAUTION:** The cooking process has to be supervised. A short-term cooking process has to be supervised continuously.
- **WARNING:** Danger of fire: do not store items on the cooking surface.
- Never place any hot container over the control panel.
- It is necessary to ensure adequate ventilation on the front side of the base so that the air can properly flow.
- If a drawer is situated under the embedded appliance, make sure the space between the content of the drawer and the inferior part of the induction hob is large enough (30 mm). This is essential to guaranty a correct ventilation.
- Never put any inflammable object (ex. sprays) into the drawer situated under the ceramic-glass hob. The eventual cutlery drawers must be resistant to heat.

#### Precautions in case of appliance failure

- If a defect is noticed, switch off the appliance and turn off the electrical supplying.
- If the ceramic glass is cracked or fissured, you must unplug the appliance and contact the after sales service.
- Repairing has to be done by specialists. Do not open the appliance by yourself.
- **WARNING:** If the surface is cracked, switch off the appliance to avoid the possibility of electric shock.

#### Other protections

- Note sure that the container pan is always centered on the cooking zone. The bottom of the pan must have to cover as much as possible the cooking zone.
- For the users of pacemaker, the magnetic field could influence its operating. We recommend getting information to the retailer or of the doctor.
- Do not to use aluminum or synthetic material containers: they could melt on still hot cooking zones.
- **NEVER** try to extinguish a fire with water, but switch off the appliance and then cover flame e.g. with a lid or a fire blanket.

	<p><b>THE USE OF EITHER POOR QUALITY POT OR ANY INDUCTION ADAPTOR PLATE FOR NON-MAGNETIC COOKWARE RESULTS IN A WARRANTY BREACH. IN THIS CASE, THE MANUFACTURER CANNOT BE HELD RESPONSIBLE FOR ANY DAMAGE CAUSED TO THE HOB AND/OR ITS ENVIRONMENT.</b></p>	
---	--	---

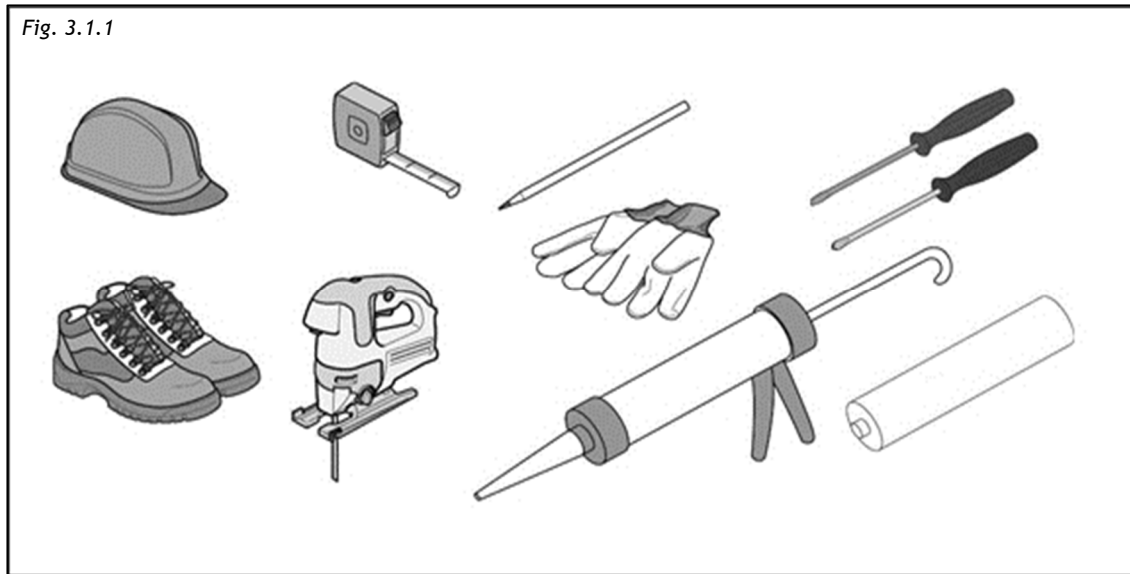


## III INSTALLATION

### III.1 PRELIMINARY INDICATIONS

Carefully read the guide before installation and use of the appliances.

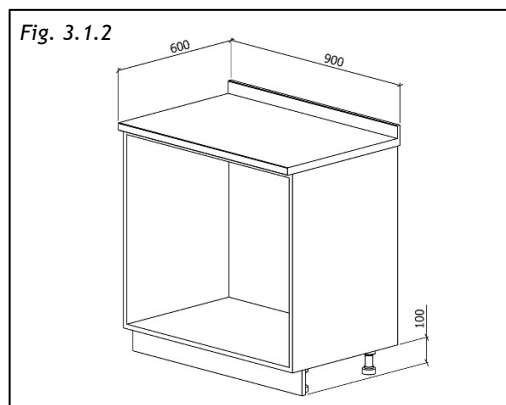
The installation requires safety equipment and a range of tools as per fig. 3.1.1



The aspiration hob is equipped with all the hardware needed for its installation and is suitable for most furniture.

**Important:** eventually, more screws than necessary for installation have been provided so it is normal to have some left at the end of the installation.

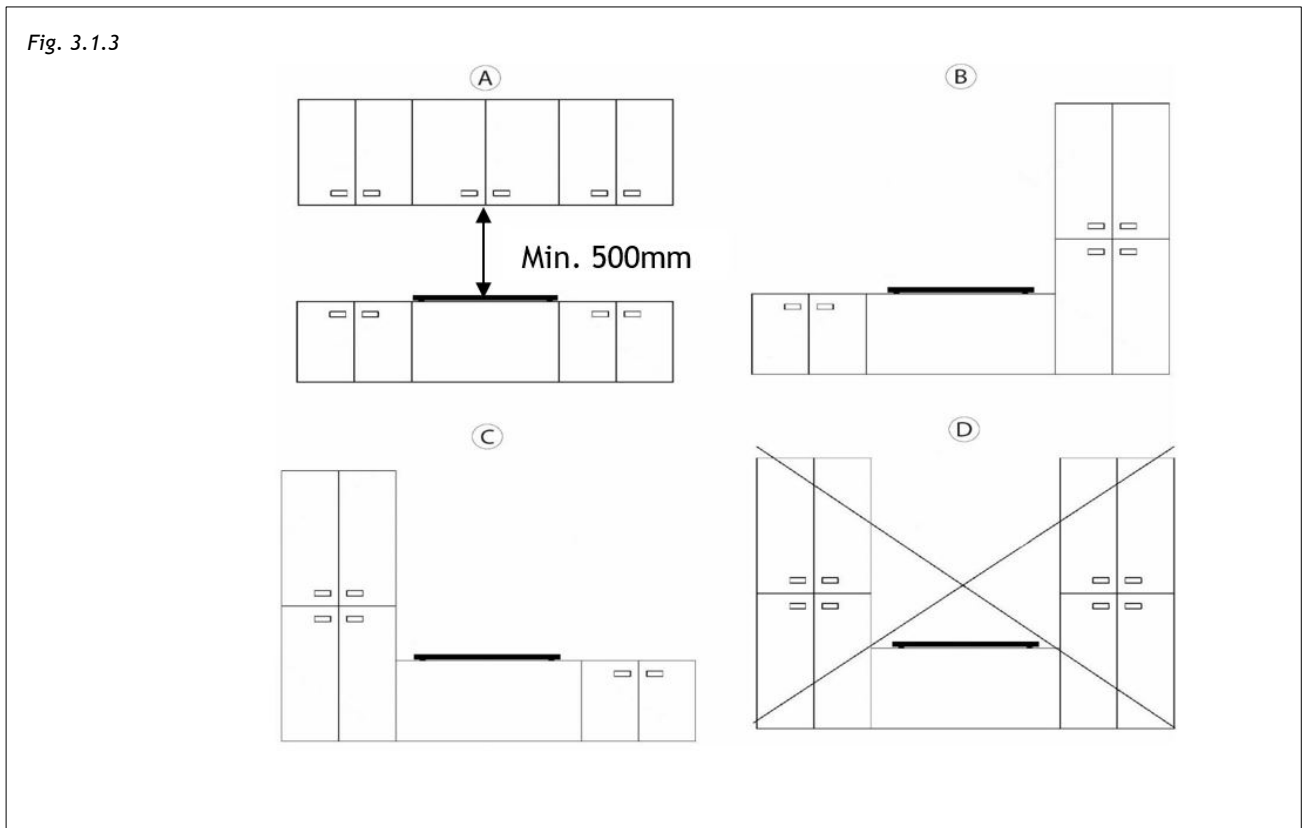
Check minimum dimensions of the base requested for installation (Fig. 3.1.2). Minimum height of the kitchen plinth is very important (min. 100 mm) in order to allow the passage of the air ducts below the base of the furniture. Upon request, it is possible to purchase a special kit for kitchen plinth up to 60 mm height.



The furniture finishing should be treated with heat resistant glue (100°C) otherwise its shape and colour may change due to the inferior heat resistance.

Ideally the appliance should be installed without any adjacent furniture or walls on both sides (Fig.3.1.3-A). Furniture on only one side of the appliance is allowed (Fig.3.1.3-B and Fig.3.1.3-C). To prevent fire hazard, it is strictly forbidden to install any furniture or walls higher than the appliance on both sides (Fig.3.3-D).

Use of wood decoration plates or boards is not permitted.



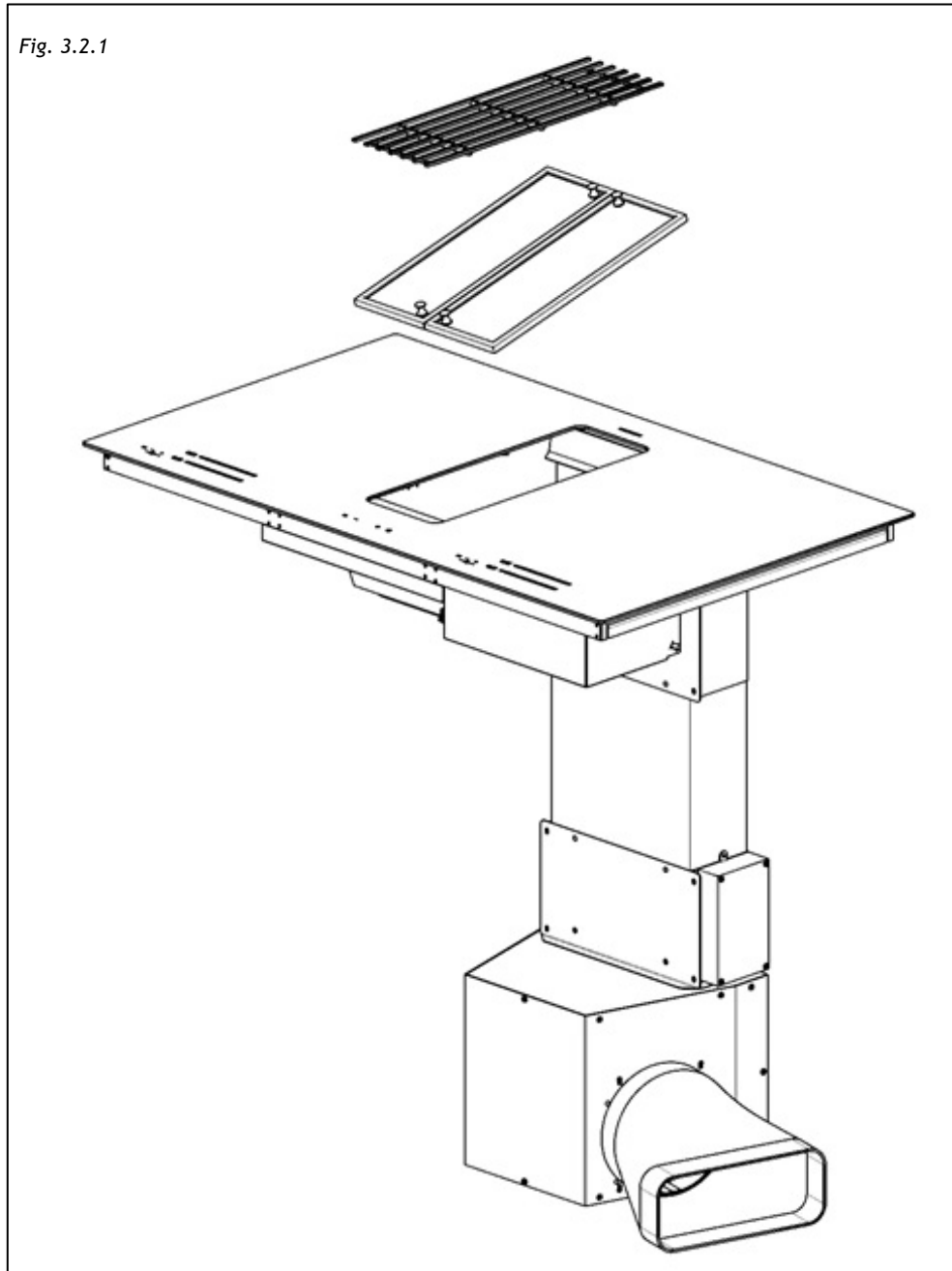
It is recommended to install the appliance only after having installed the kitchen base cabinet in order to avoid eventual damages to the glass hob.

The safety space between the hob and any furnishings positioned above it must respect a minimum distance of 500 mm (Fig. 3.1.3-A).

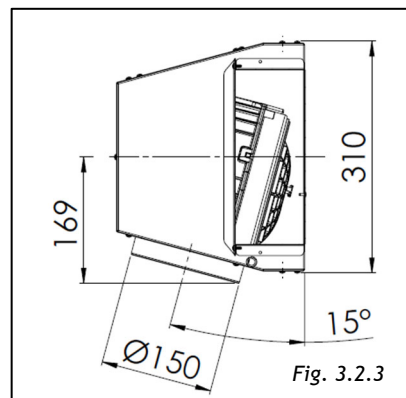
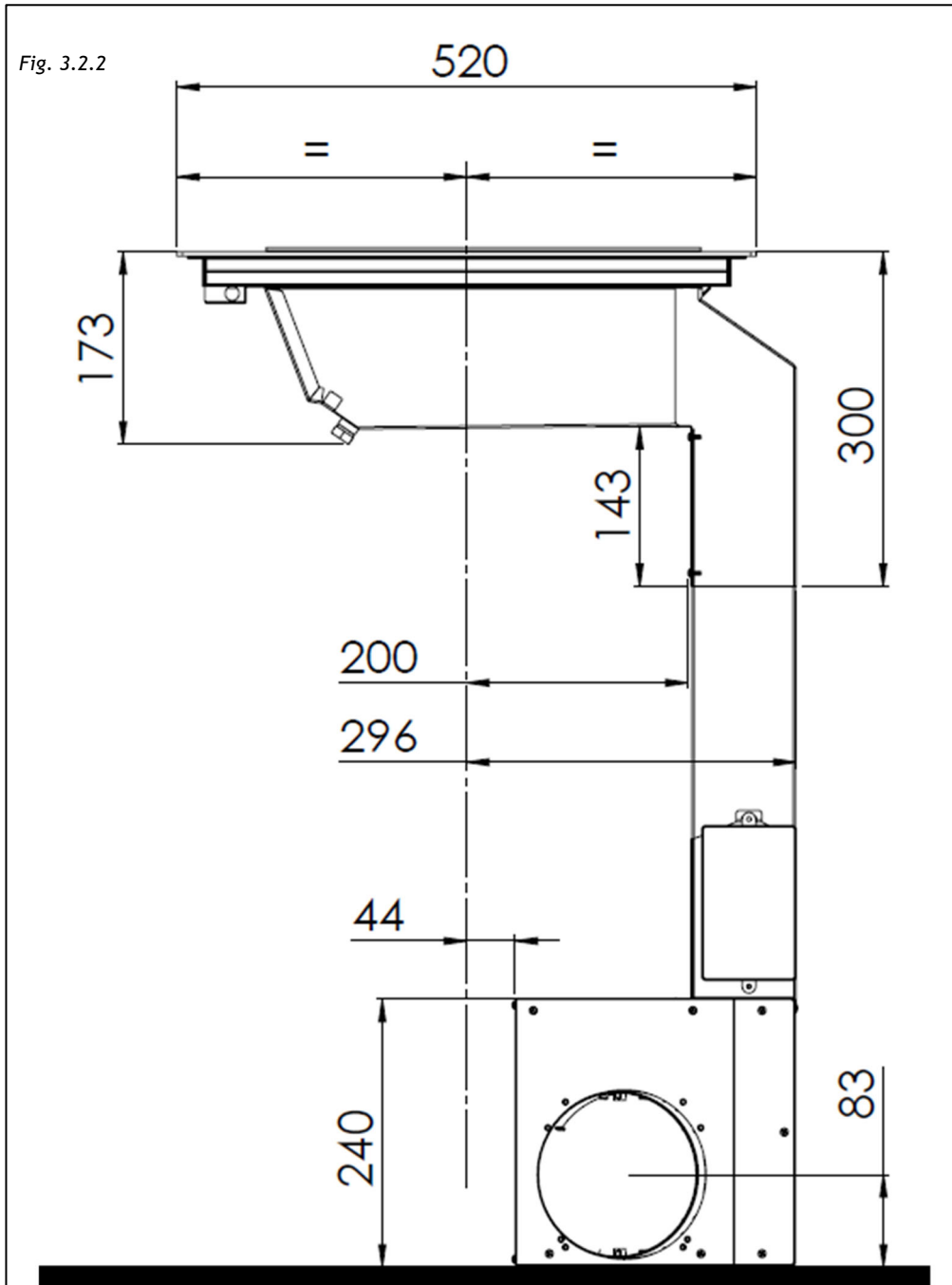
## III.2 INSTALLATION

In the box the technician will find the elements shown on Fig. 3.2.1.

Elements must be mounted carefully following the procedure described in this guide.



The dimensions of device are shown at Fig. 3.2.2, Fig. 3.2.3



This cooker hood can be used as exhausting or filtering.



- Exhausting (external evacuation).

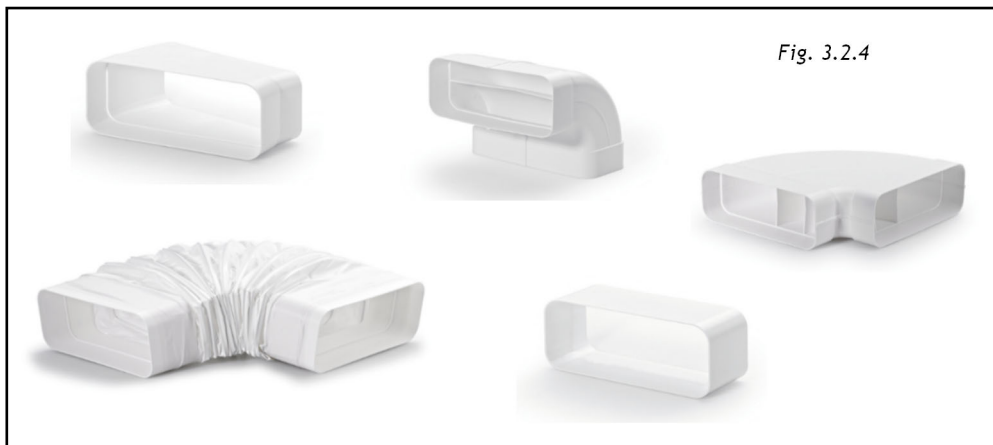
Don't install any activated carbon filters. Kitchen smokes are driven outside through a flue (not provided with the hood) joined to the exhaust pipe flue connector.



**Warning!** The piping must never be connected to combustion discharge pipes (stoves, boilers, burners, etc.)

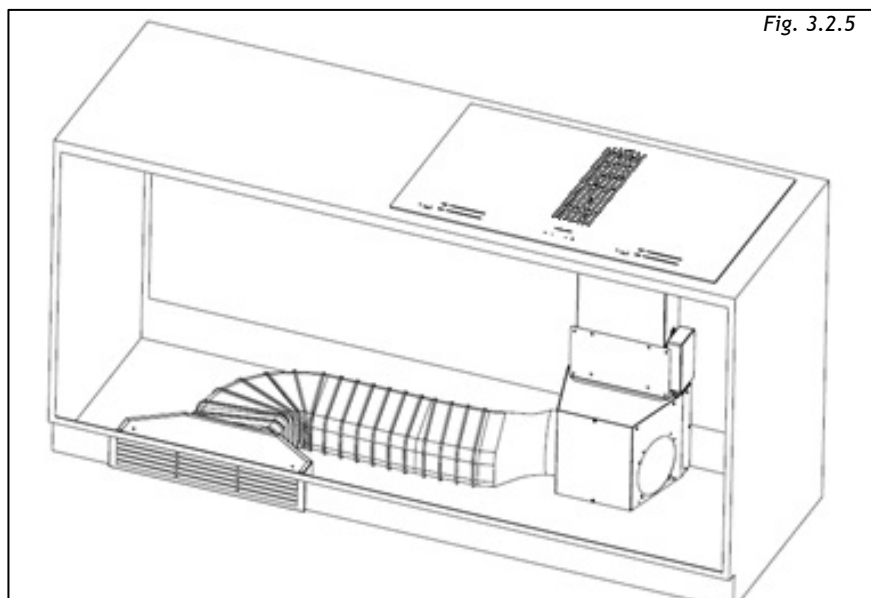
The use of pipes and holes on the wall with a smaller section than the output of the motor will cause a decrease in suction performance and an increased of the noise level.

Use as short as possible tubes and with few curves, pipes with smooth internal surfaces are recommended (Fig. 3.2.4)



- Filtering (inside recycling).

The fumes pass through activated carbon filters to be purified and recycled into the kitchen. The filtering Kit (Fig.3.2.5) is available for the hood in two different high of plinth 6cm and 10cm.

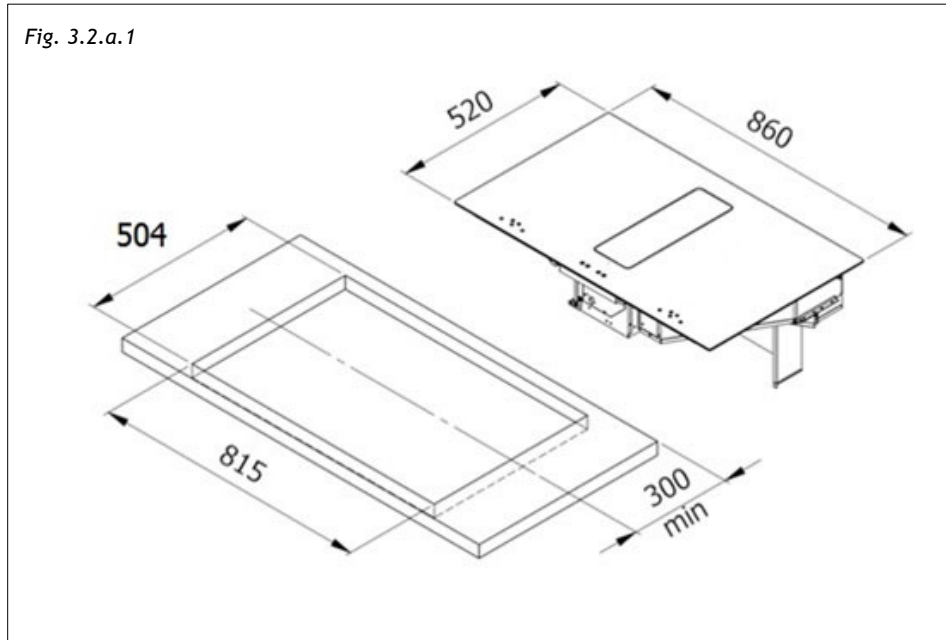


### III.2.a INDUCTION HOB INSTALLATION

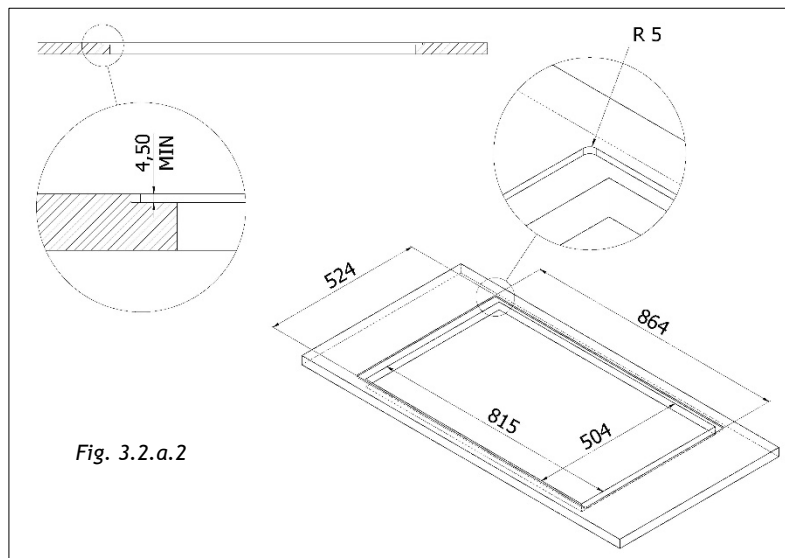
To leave the necessary space for the air pipes it is important to install the induction hob with the centerline more than 300mm away from the wall on the back that may be present.

Installation of the induction hob may be flush or non-flush.

**NON-FLUSH INSTALLATION:** Prepare the hole in the worktop as shown on Fig. 3.2.a.1.



**FLUSH INSTALLATION:** Prepare the hole in the worktop, mill the worktop along the entire edge of the hole. Be sure to comply with the dimensions indicated on Fig. 3.2.a.2.

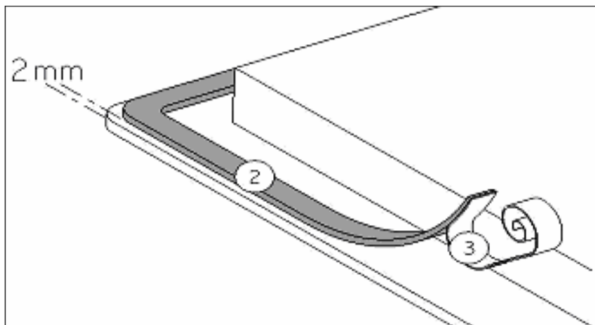


The installation comes under the exclusive responsibility of specialists.

The installer is held to respect the legislation and the standards enforce in his home country.

### How to stick the gasket:

The gasket supplied with the hob avoids all infiltration of liquids in the cabinet. His installation has to be done carefully, in conformity of the following drawing.

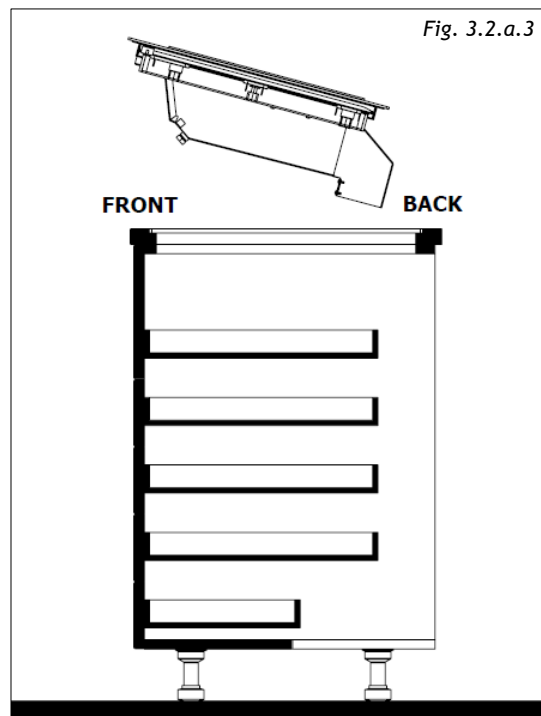


Stick the gasket (2) two millimeters from the external edge of the glass, after removing the protection sheet (3).

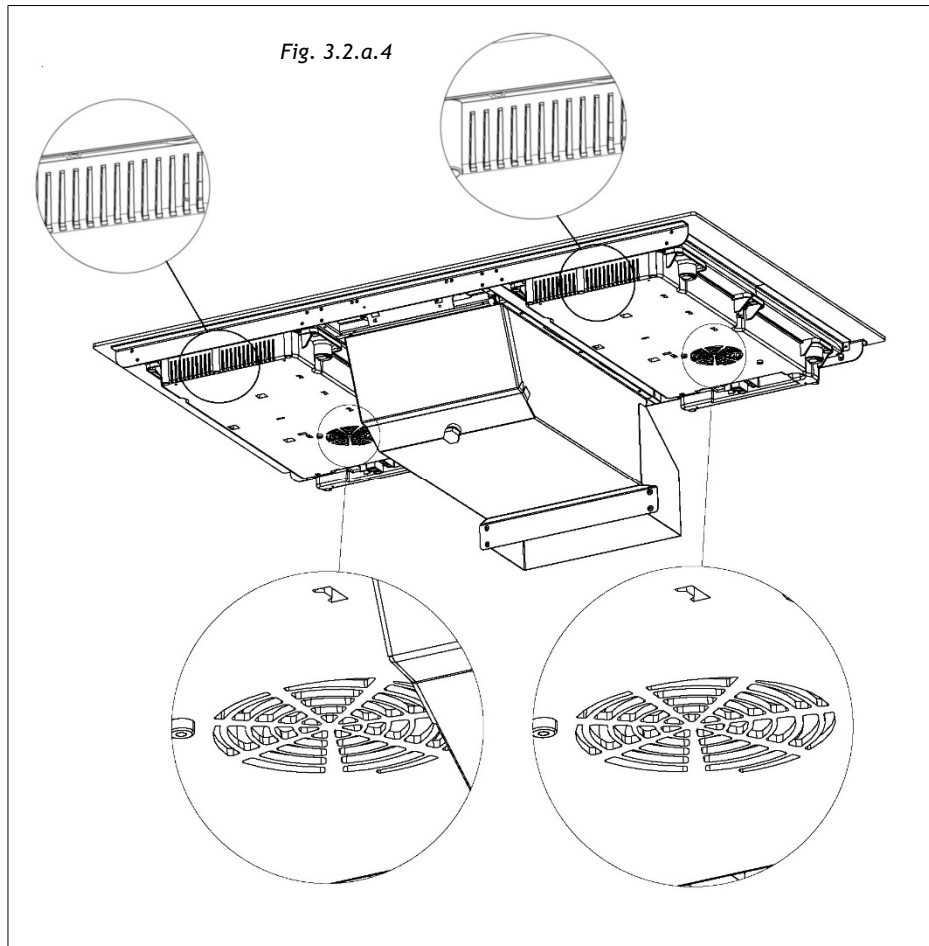
### Fitting - installing:

- Ensure that there is a distance of 50 mm between the hob and the wall or sides.
- Ideally the hob should be installed with plenty of space on either side. There may be a wall at the rear and tall units or a wall at one side. **On the other side, however, no unit or divider must stand higher than the hob.**
- The piece of furniture or the support in which the hob is to be fitted, as well as the edges of furniture, the laminate coatings and the glue used to fix them, must be able to resist temperatures of up to 100 °C.
- The mural rods of edge must be heat-resisting.
- Not to install the hob to the top of a not ventilated oven or a dishwasher.

Place the hob on (Fig. 3.2.a.3)



- It is necessary to ensure adequate ventilation on the front side of the base so that the air can properly flow (Fig. 3.2.a.4).
- If a drawer is below the hob, to guarantee a good air circulation and good cooling system of the induction hob, maintain a gap of **30 mm minimum** between the ventilation of the lower part of the hob and what is stowed inside the drawer (Fig. 3.2.a.4).

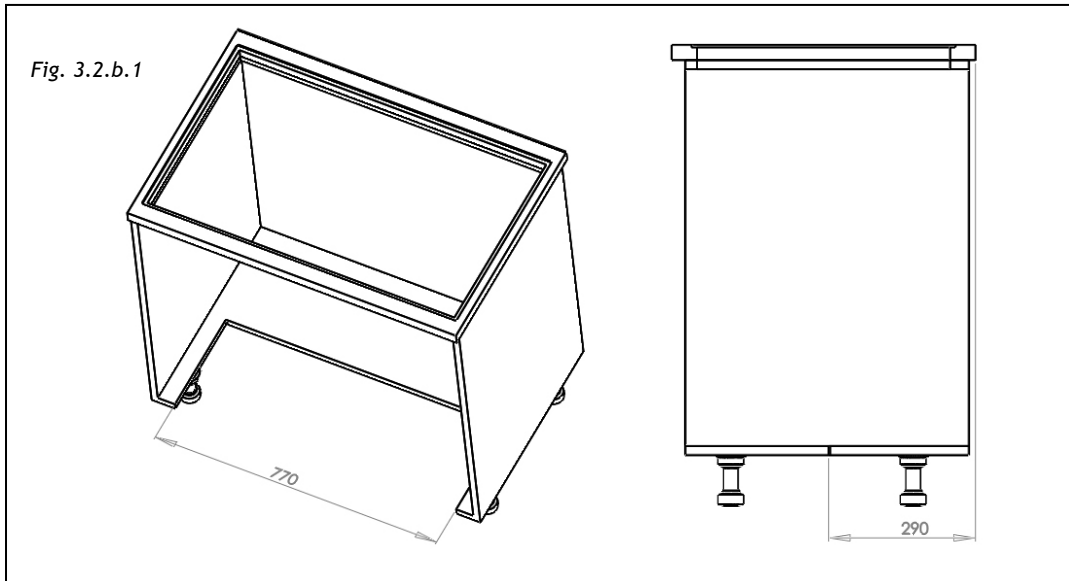


- If a drawer is placed under the work, avoid to put into this drawer flammable objects (for example: sprays) or not heat-resistant objects.
- Materials which are often used to make worktops expand on contact with water. To protect the cut-out edge, apply a coat of varnish or special sealant. Particular care must be given to applying the adhesive joint supplied with the hob to prevent any leakage into the supporting furniture. This gasket guarantees a correct seal when used in conjunction with smooth work top surfaces.
- After installation, the connecting cable must not be subjected to any mechanical stress, for example, because of a drawer.
- **WARNING:** Use only hob guards designed by the manufacturer of the cooking appliance or indicated by the manufacturer of the appliance in the instructions for use as suitable or hob guards incorporated in the appliance. The use of inappropriate guards can cause accidents.

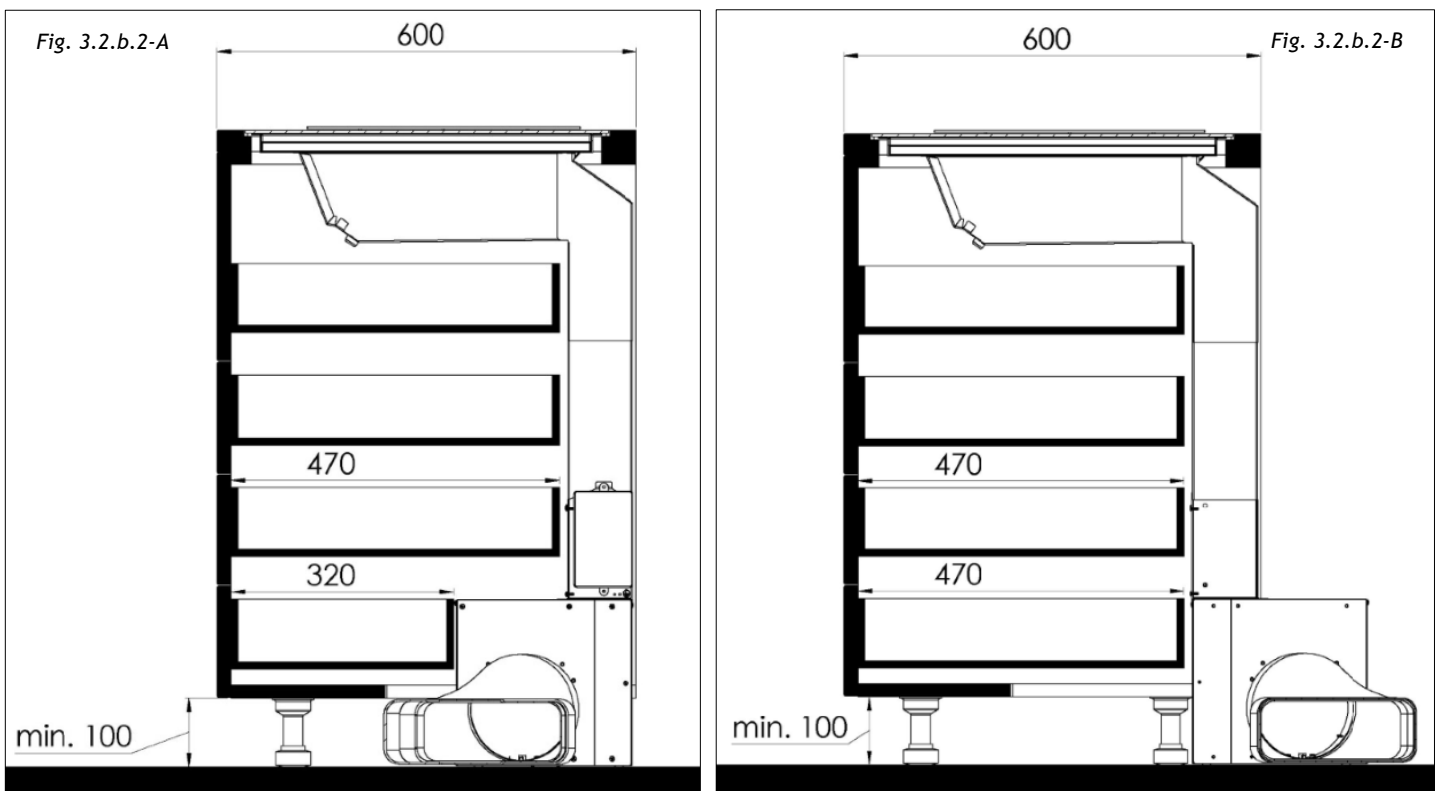


### III.2.b ASPIRATION INSTALLATION

The base of the kitchen must be drilled as indicated in Fig. 3.2.b.1 if the space available to house the hood is less than 560mm the back need to be removed.



The installation of the appliance implies a maximum length of the drawers that may be mounted under the hob (Fig. 3.2.b.2-A; Fig. 3.2.b.2-B):

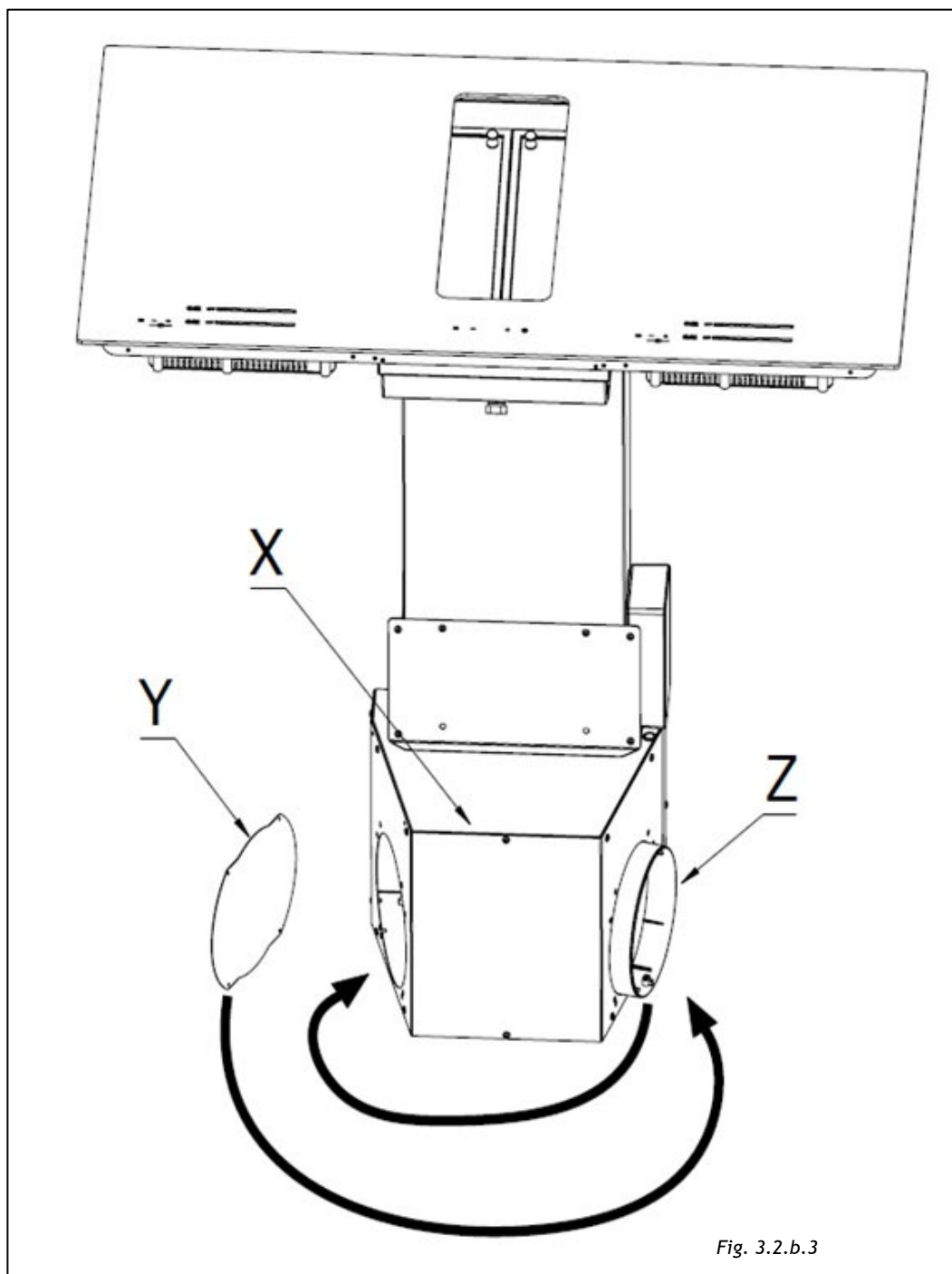


Upper drawers depth approximately 470mm  
 Last drawer depth approximately 320mm

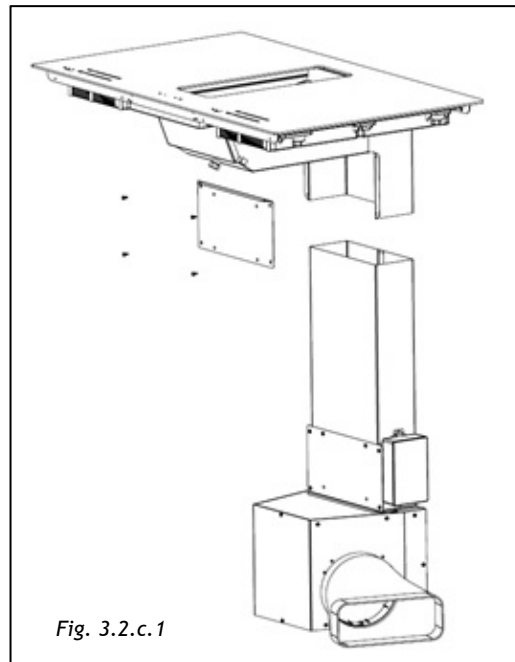
Drawers depth approximately 470mm

The depths of the drawers are approximate and generated by the project of a kitchen base unit with standard dimensions.

The next step is to determine the exit of the fumes according with the installation needs. The air exit can be on the left, on the right or behind of the kitchen base. To do this, remove the screws, detach the cover (3.2.b.3 -X) and the cup (3.2.b.3-Y) invert the aspirator outlet (3.2.b.3 -Z) and place the cup on the other side (Fig. 3.2.b.3). Then replace the cover and secure it with the screws (Fig. 3.2.b.3).

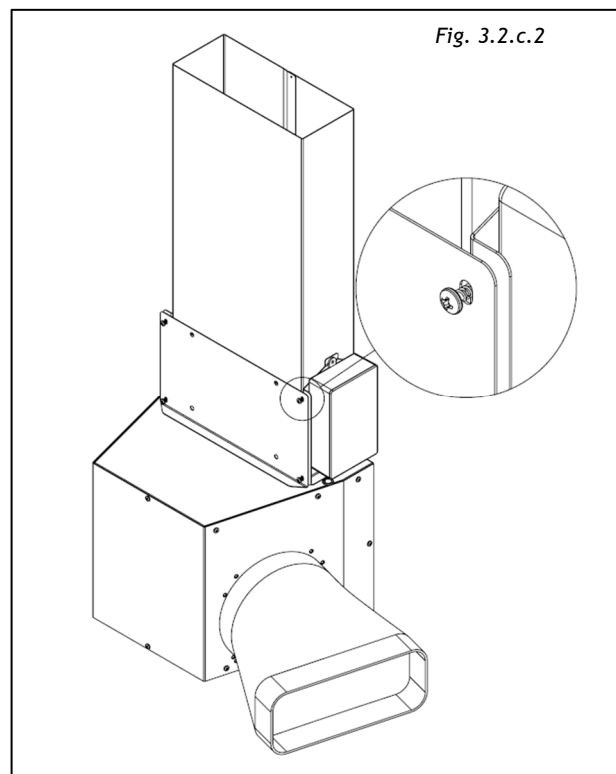


After installing the induction hob as paragraph III.2.a INDUCTION HOB INSTALLATION, align the suction unit with the hob (Fig. 3.2.c.1) by positioning it inside the cut of the base of the piece of furniture previously made (Fig. 3.2.b.1).

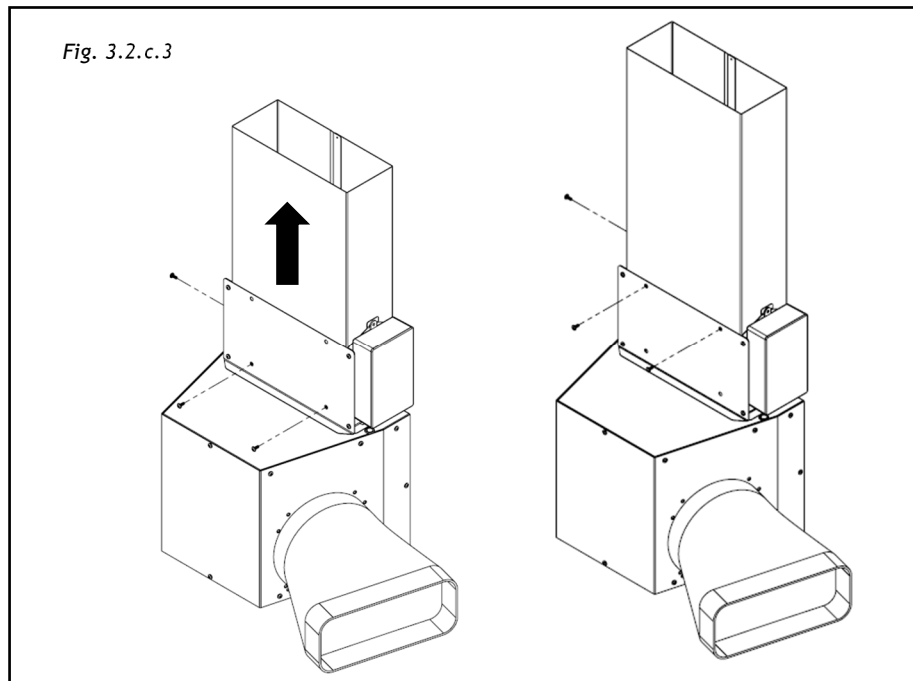


If the length of the metal pipe is not enough to reach the upper housing it can be increased moving the pipe inside the motor box.

In order to do that it is needed to detach the front panel losing the four screws without completely remove the panel. (Fig.3.2.c.2)

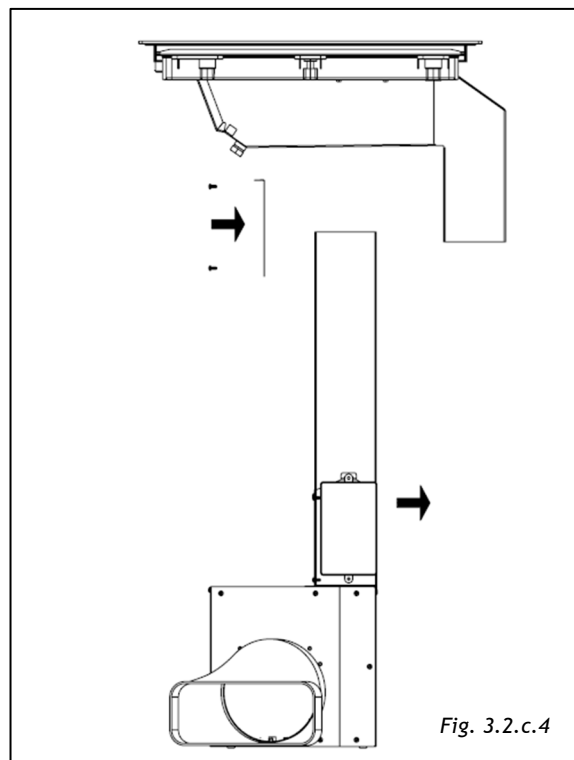


The front panel and the pipe are fixed together with 3 screws (Fig. 3.2.c.3) removing these, the pipe can slide to the upper position and then it can be re-fix with the same screws.



The holes that now are empty can be cover with the cup supplied.

Now the motor box can be inserted in the housing and the panel mounted (Fig. 3.2.c.4)



To place the exhaust pipe in the desired position it is necessary to use pipe and connectors to pass under the base of the piece of furniture, inside the lift of the kitchen plinth.

### III.3 ELECTRICAL CONNECTION


The electrical connection must be carried out **ONLY** by qualified technicians.

The electrical protection of the electrical connection upstream of the equipment must comply with the regulations in force.

The appliance is composed by three devices that must be separately connected to the electricity: the serial plate stating the electricity supply needed is located on the suction tray. Make sure that the power supply is enough to supply all the 3 devices.



Mains	Connection	Cable diameter	Cable	Electrical Protection
220-240V 50/60Hz	1 Phase + N	3 x 1,5 mm <sup>2</sup>	H 05 VV - F H 05 RR - F	16 A *

\* calculated with the simultaneous factor following the standard EN 60 335-2-6

	<p><b>Caution! Make sure that the voltage (V) and frequency (Hz) indicated on the serial number plate located on the appliances correspond to those available at the installation site.</b></p>
---	---

Any change to the electrical installation necessary to install the hood should only be undertaken by qualified staff.

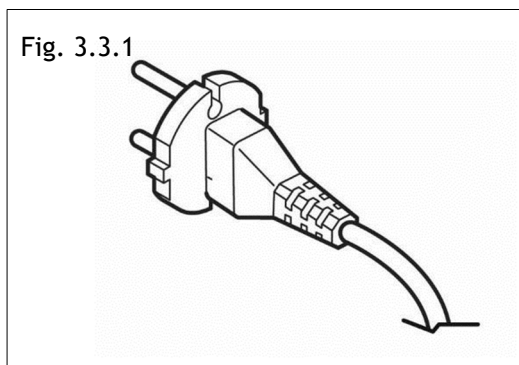
After installation, insulated parts and those carrying electricity must be protected from any possible contact.

	<p><b>Caution! If the electrical connection is carried out incorrectly or not meeting the regulations, it may damage part of the appliance and the warranty will not be valid.</b></p>
	<p><b>Caution! Before any intervention, disconnect the appliance from the power mains (Fig. 2.1 - Fig. 2.2 WARNINGS chapter).</b></p>

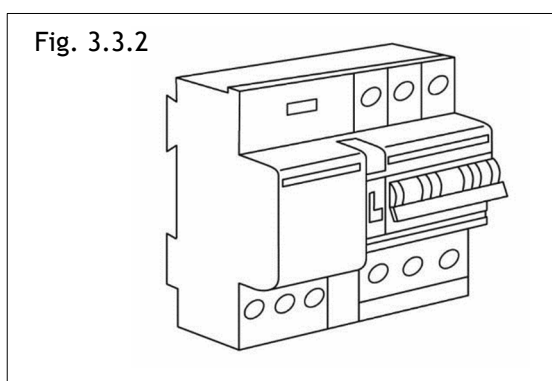
**These appliances must be earthed.**

Two types of connections to the network are possible:

1. Using a standard plug connected (Fig. 3.3.1) to the power cord and inserted into an accessible socket outlet (to be disconnected during service operations). Make sure that the plug is accessible even after the complete installation of the appliance.



2. Stable connection to the network by interposing a bipolar switch to ensure disconnection from the network, with a contact opening distance allowing complete disconnection under the conditions of the overvoltage category III, in accordance with the installation rules (fig.3.3.2).



**Earth connection (yellow-green wire) should not be interrupted.**

If the power cord is damaged, it must be replaced by the manufacturer or its authorized service center or by a qualified technician, in order to prevent any risk.

### **Caution!**

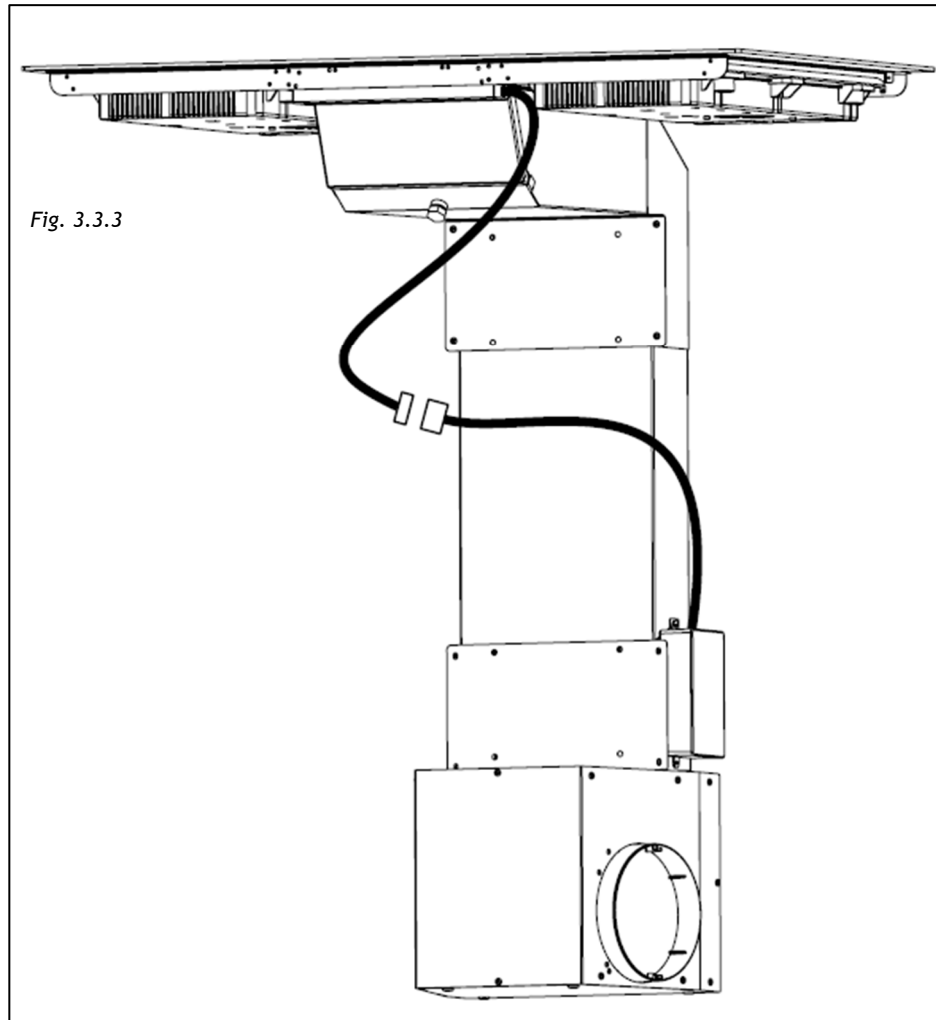
Respect the connection diagram. Use the connecting cable that is attached to the hob.

The green / yellow wire corresponds to the earth wire, the blue wire correspond neutral wire and the brown wire correspond to the phase.

### Aspirator connection procedure:

First of all, connect the motor box to the induction hob:

- Connect the flat connector (male-female) to the mainboard, with the control's connector dropping from the induction hob (Fig. 3.3.3).



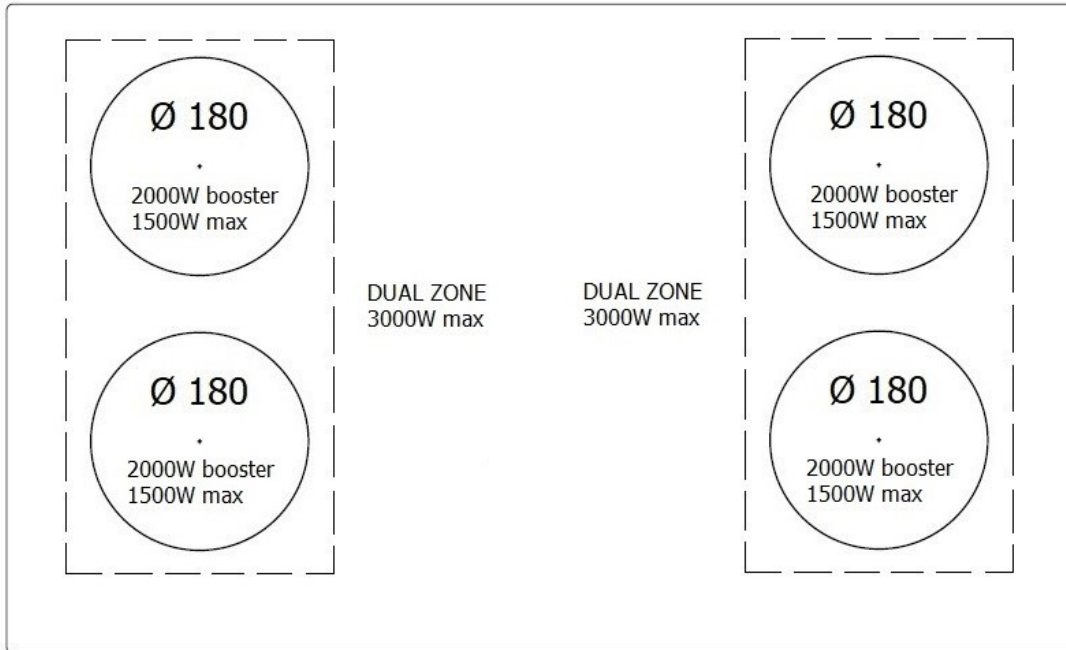
- Protection against the parts under tension must be ensured after the building-in.
- The hob connection to the main must be made using an earthed plug or via an omnipolar circuit breaking device with a contact opening of at least 3 mm.
- The power cord shall be positioned so as not to touch the hot parts of the hob or any other part.

**We cannot be held responsible for any incident resulting from incorrect connection or which could arise from the use of an appliance which has not been earthed or has been equipped with a faulty earth connection.**

## IV OPERATION

### IV.1 DESCRIPTION OF THE INDUCTION HOB

#### IV.1.a TECHNICAL CHARACTERISTICS



#### Power level detail:

**Power limitation when Ø 180 heaters are working simultaneously (no bridge function):  
Total Power 3600W**

#### IV.1.b BASIC CONTROL CHARACTERISTICS

- Auto Lock function
- Fast Boil function
- Bridge function
- Selection of heater's timer / Warm function
- Heat-Up function
- Independent timer for each heater.
- Indication of residual heat for each heater.
- Thermal control protection.
- Protection from accidental activation of keys:
  - One or more keys activated for more than 10 sec. -> Switching off the touch control. A warning beep sounds every 10 sec., while the key/s is/are activated.
  - With all heaters at zero power during 10 sec. -> The Cooktop is switched off. If the switching off is due to an accidental activation of keys, the touch control actuates as above.
- Acoustic warning to attract the user's attention.
- Pan detection for induction heaters; After 60 sec. with no pan, the heater switches off.



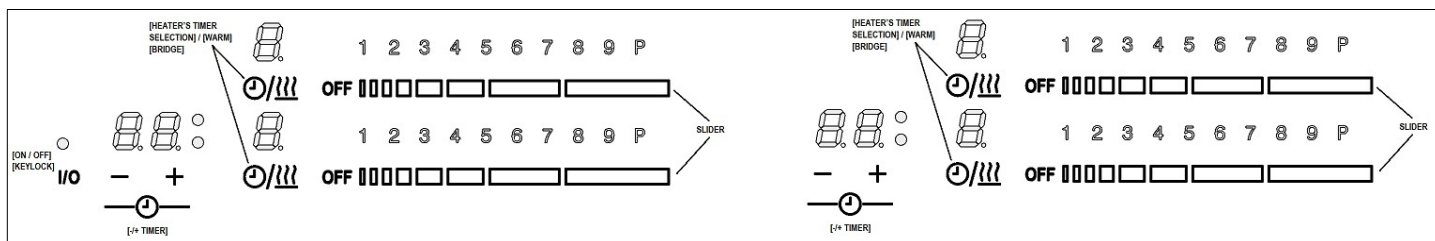
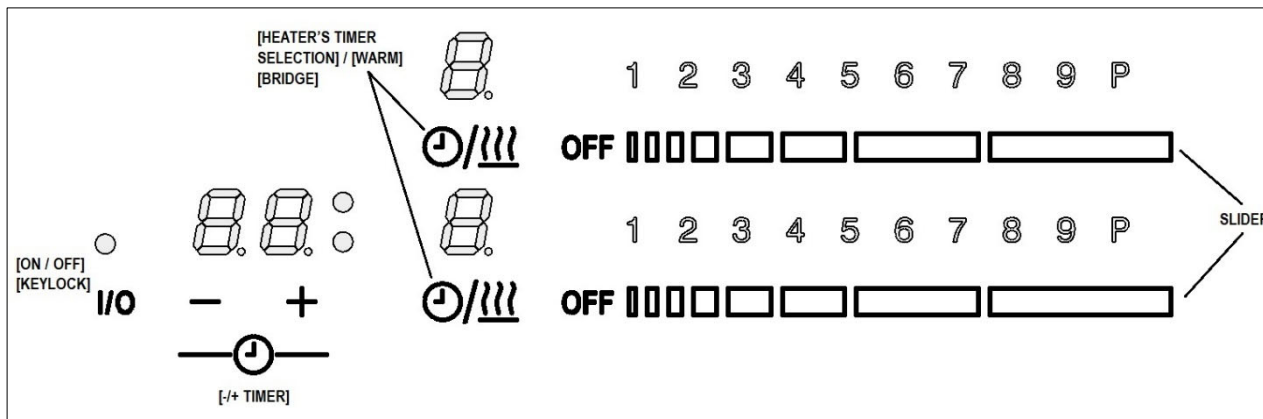
**GENERAL KEYS**

- 1 key for switching On/Off the Cooktop [ON/OFF] and unlocking the keyboard.
- 2 keys to “time selection”.

**HEATER KEYS**

- 1 selection key for each heater’s timer [Heater\_timer\_selection] / Warm function
- 1 Slider for each heater to select cook set ((0)-1-2-....P)

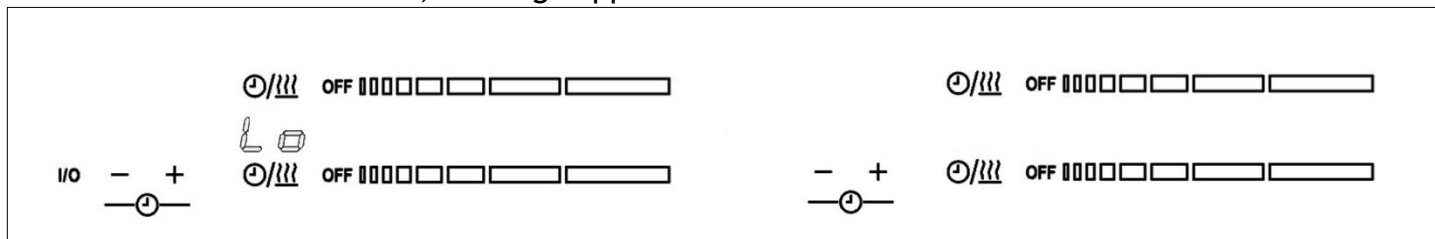
**BUZZER SOUNDS**



**IV.2 USE OF THE INDUCTION HOB**

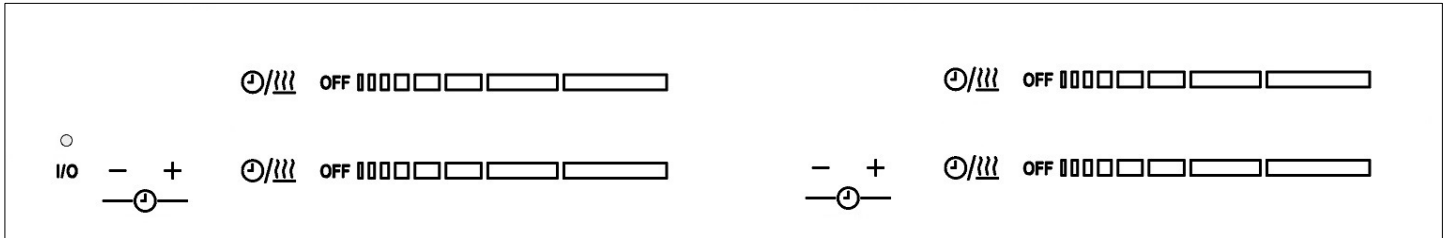
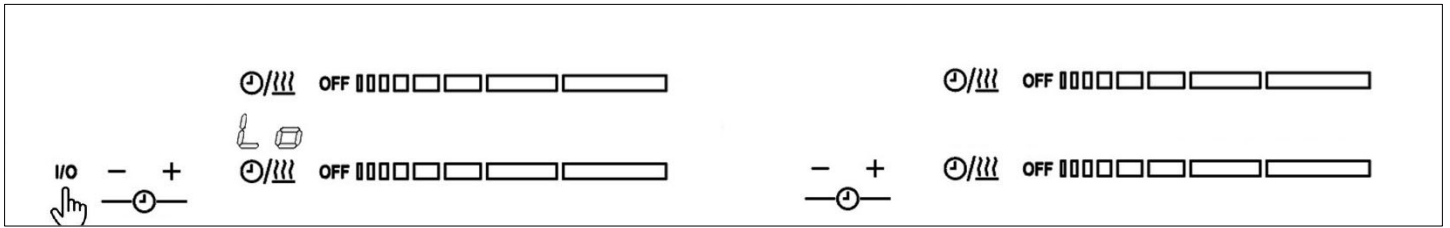
**IV.2.a AUTO-LOCK**

When a cooktop is switched off always is locked. So, on all 7-segment of heater1 cooking zone display is shown “Lo” for 5 sec, and then disappear. Each time a key is touched from heater1, 7-segment cooking zone displays is blinked “Lo” to indicate that the hob is blocked. If a key is touched from heater2, nothing happens.

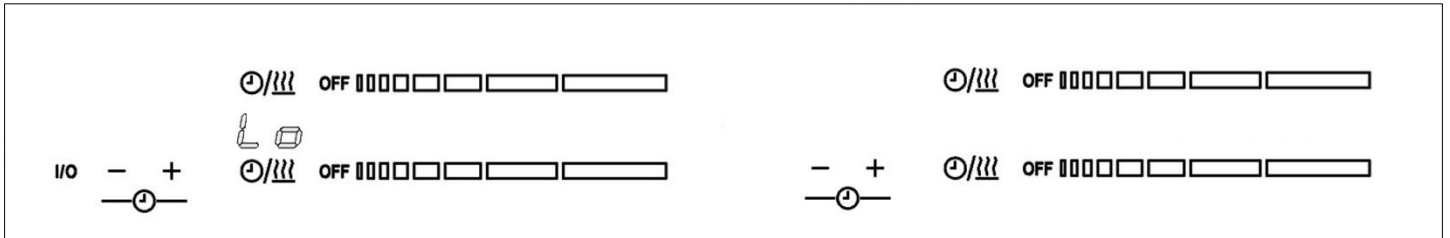


**IV.2.b SWITCH ON/OFF THE COOKTOP**

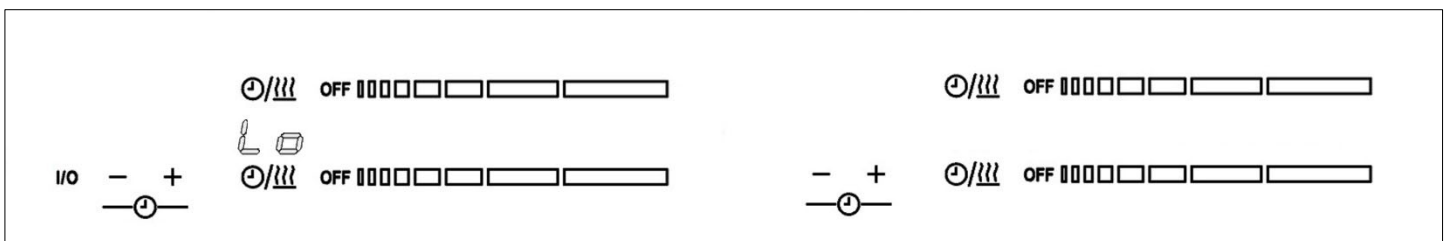
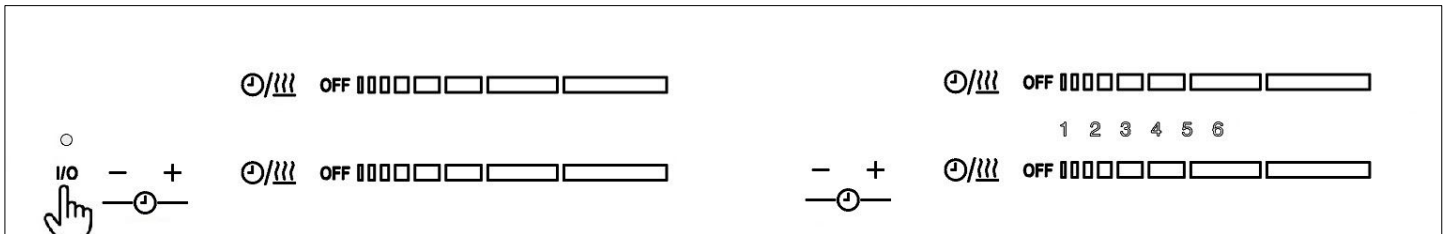
The cooktop is **switched ON** by touching the [ON/OFF] key for 2 second, a double beep sounds and the On/Off status LED is switched on. Heaters display may possibly be change in case of residual heat or error status of the cooking zone.



- If the selection of a heater is not done in 10 seconds, the cooktop will be turned off automatically.



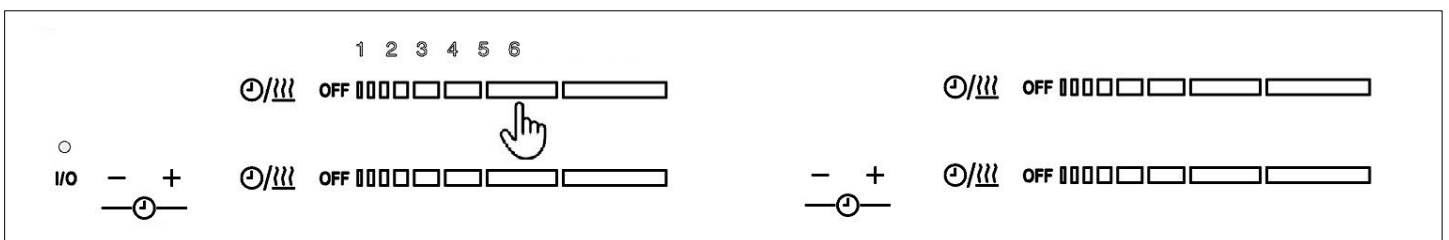
The cooktop is **switched Off** by touching the [ON/OFF] key for 1 sec. A beep sounds and all the heaters are switched Off.



#### IV.2.c SWITCH ON A HEATER ZONE

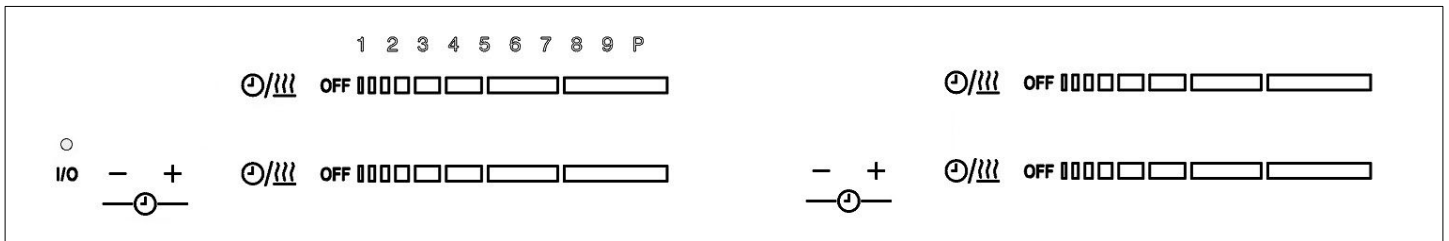
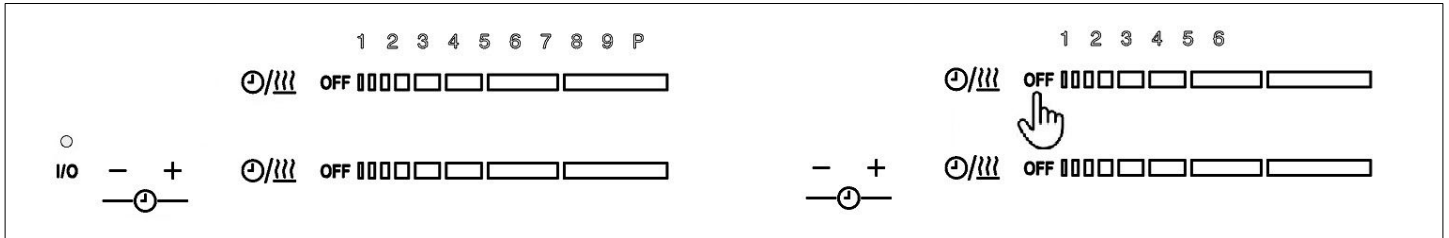
When a cooktop is on (On/Off status LED is on), a heater zone can be switched on pressing a Heater's slider.

In the "Slider's bar graph" is displayed the selected power level.



#### IV.2.d SWITCH OFF A HEATER ZONE

**To switch OFF** a heater, the user must to press on the lowest part of the heater's slider, a beep is heard, and heater is OFF. Residual heat indication appears in the display if residual heat exists.



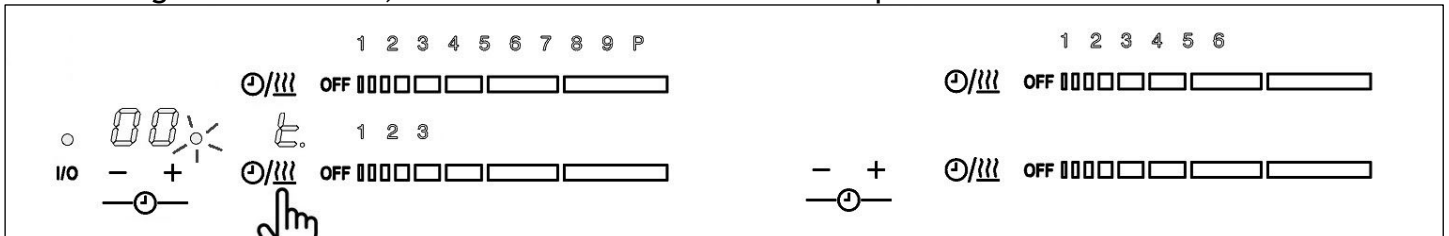
"H" value will appear in target zone digit if residual heat exists.

If only one heater is active and it's switched off, after 10 sg, a short beep will be heard indicating that the cook top is off.

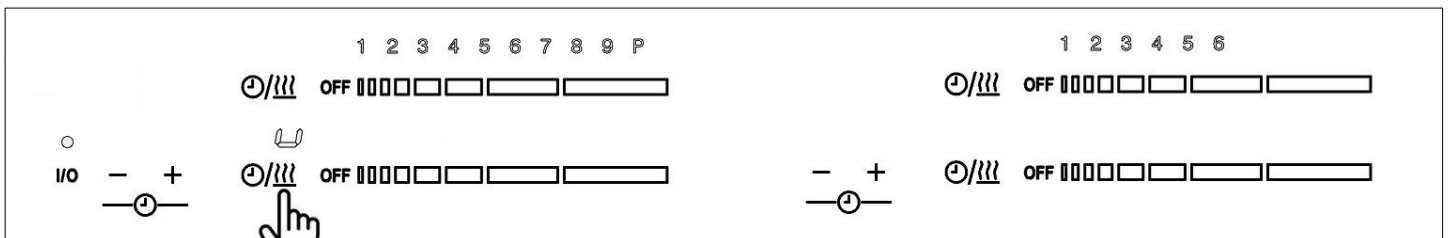
#### IV.2.e SELECTION OF HEATER'S TIMER /WARM FUNCTION

There are two function in the same key:

1. With a **short press**, the heater's timer is selected, so user can visualize timer time or change timer's value, in case the that the timer is temporized.

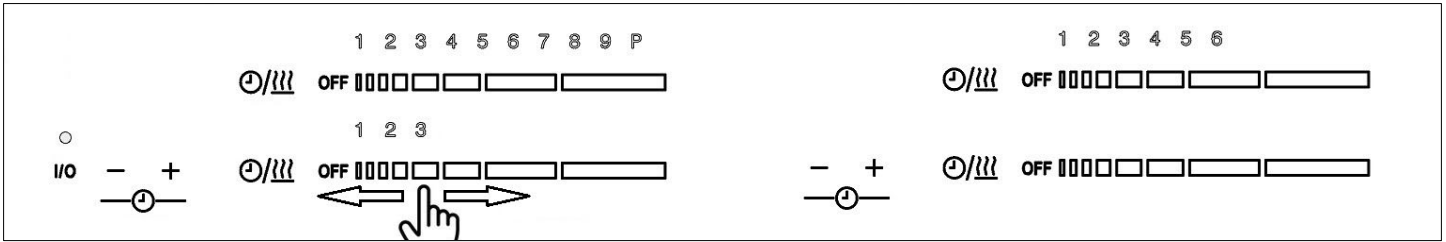


2. And with a **long press** the warm function is activated, a "u" power level is showed in the display and slider bar graph is off.



#### IV.2.f INCREASE / DECREASE POWER LEVEL WITH SLIDER

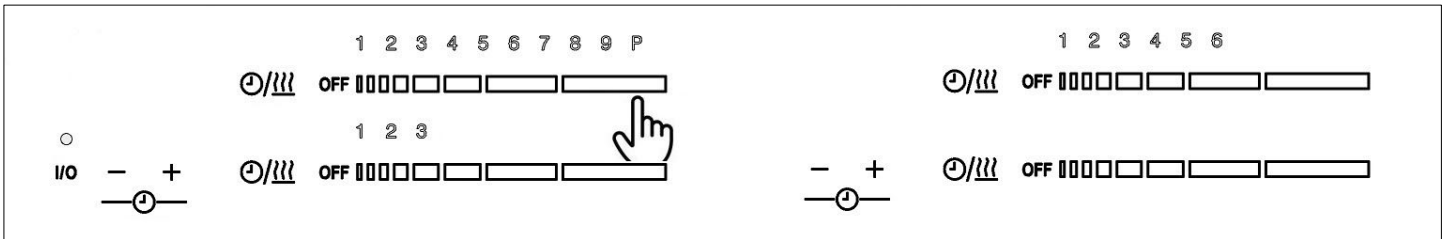
The power level can be changed with a short press on slider keys, increasing or decreasing the power of the selected zones, and "Slider bar graph" visualizes the selected power than goes from (0)-1-2-3...9- to Booster (P).



**IV.2.g BOOSTER FUNCTION**

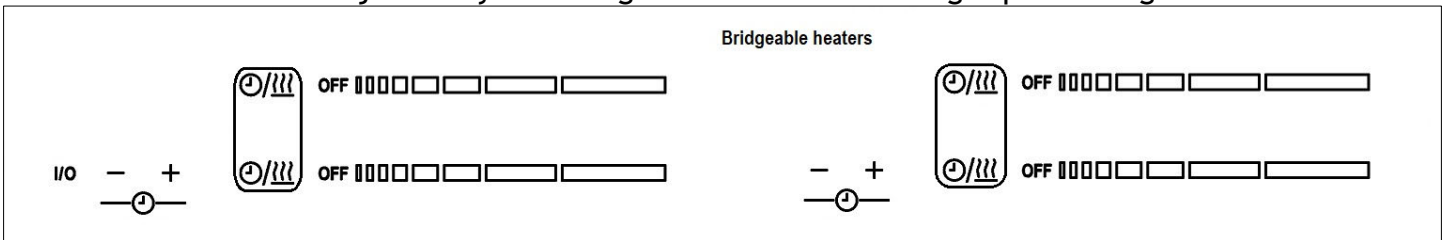
With a short press on the highest level of slider keys, user can select the Booster Functions. A beep sounds and the heater display shows “P” and the its corresponding slider bar graph visualizes all the bar ON (P level).

The heater will work at maximum power level for 10 minutes. After these 10 minutes a beep sounds and the heater will return to level “9”.

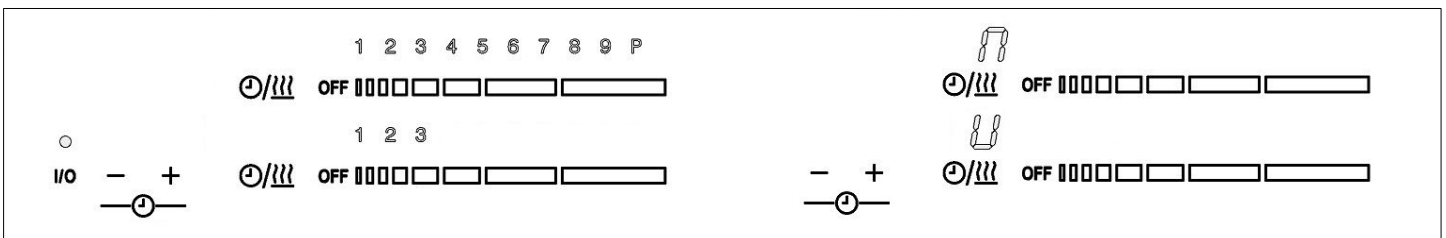
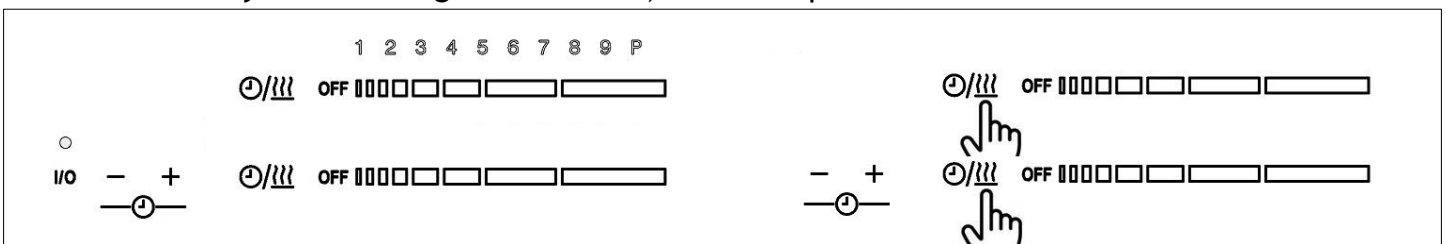


**IV.2.h BRIDGE FUNCTION**

Two heaters can be joined by the bridge function to heat longer pans and griddles.



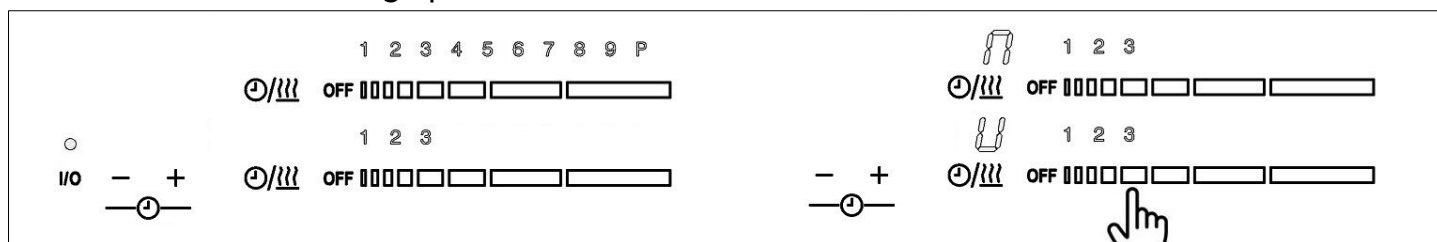
To enable or disable the bridge function, user must to press a combination of keys (both selection keys of the bridgeable heaters) and a beep sound.



In some case, user will be not be able to activated “Bridge keys combination”, so three shorts beeps are heard. These cases are the following:

- If the heaters power level is greater than 0.
- If the key lock is activated (KEYLOCK LED on).

To set the power level of the bridge heater press any key of each sliders. Bridge heater power level is shown in bar graphs.



When the heaters are operated as one bridge heater, the selectable power levels are from 1 to 9, it is not possible to select booster power level. When the heaters are operated individually, the selectable power levels are from 1 to P.

When the heaters are operated as bridge heater and want to switch off to zero power level, the user must to press on the lowest part of the heater’s slider, a beep is heard, and heater is OFF.

#### IV.2.i HEAT-UP FUNCTION

User activates the “heat-up” function by pressing for more than 3 second over the slider when cooking zone is working a power level bigger than zero and it has been selected. It is not possible to activate Heat-up function when the heater is working at warm, 9 or P power level.

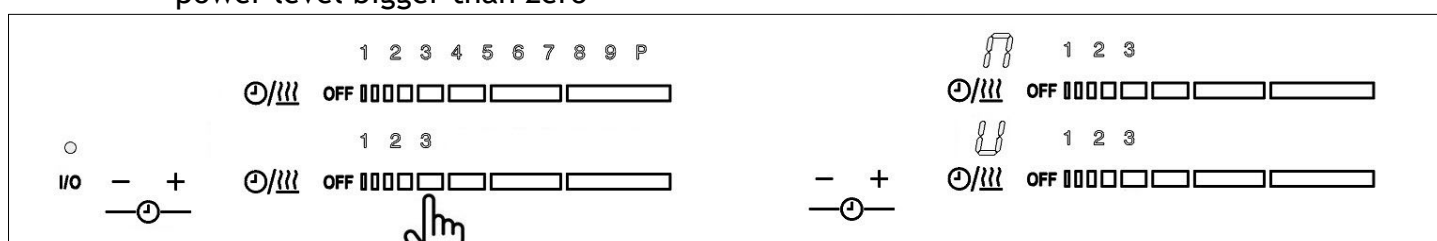
When Heat-up is activated, the heater operates on the highest power setting (level P) for the duration of the heat-up time. After the heat-up time expired, the cooking zones automatically return to the cooking stage set by the operator previously to the heat-up selection.

The heat-up time is depending on the level of the set cooking stage.

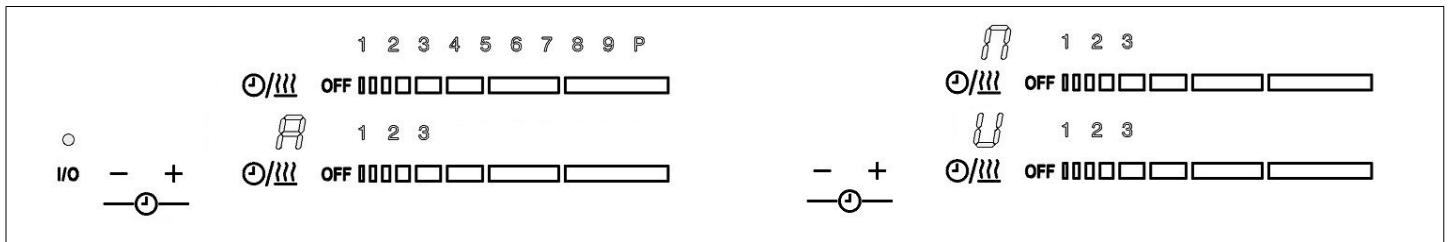
Cooking level	0	1	2	3	4	5	6	7	8
Heat-up time (s)	0	40	70	120	180	260	430	120	195

The sequence is the following:

- Cooking zone must be at level different of 0, Warm, 9 or P on display.
- Then press for more than 3 second over the slider when cooking zone is working a power level bigger than zero



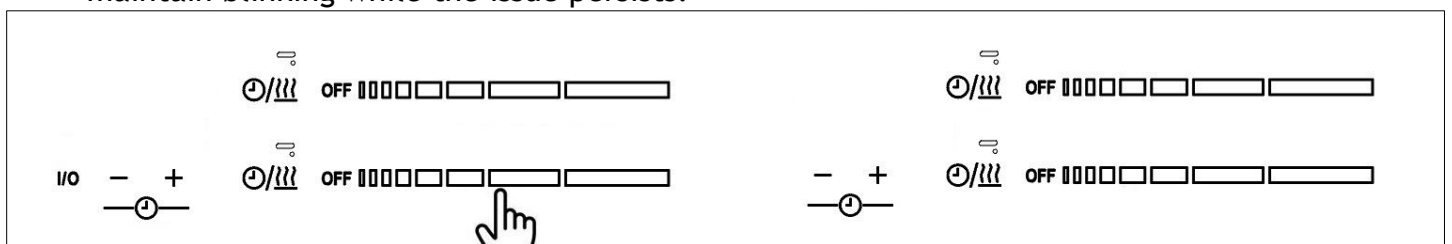
- The respective cooking zone display shows the symbol "A" for automatic heat-up indication.



- If the heat-up boost is realized on a cooking zones with activated pan detection and no pan is detected, an "A" will blink in alteration with the symbol for "no pan".
- If a higher cooking stage is selected with the slider, the heat-up function remains active with the new cooking stage.
- When a lower cooking stage is selected any time during the automatic heat-up, heat-up function will be deactivated.
- If the cooking zone is switched off during active heat-up function, the heat-up is also deactivated.
- When the heat-up time has passed as planned, or the automatic heat-up is deactivated by the above-mentioned operating steps, the bargraph shows the set cooking stage. The "A" is deactivated.

#### IV.2.l SECURITY

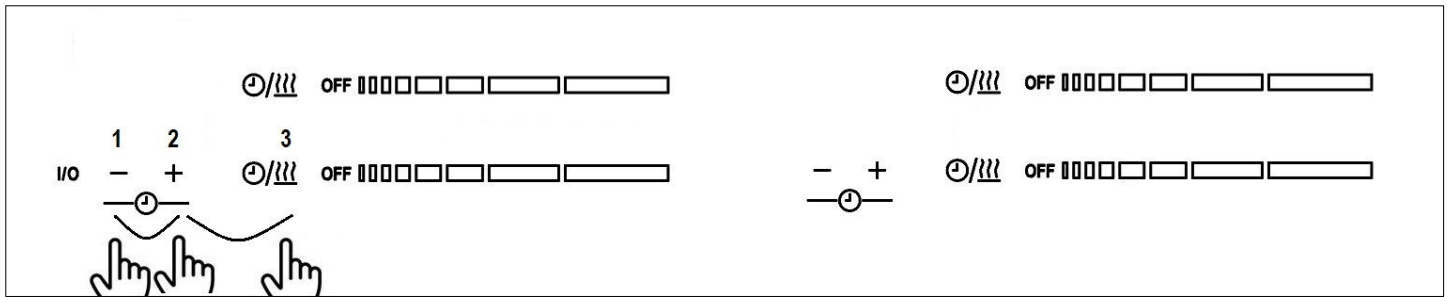
Something (an object or a liquid) is pressing any key during more than 10s. 2 Short Beep + 1 Long beep every 30s while the key is pressed. Cook-top will turn Off. This symbol will maintain blinking while the issue persists.



#### IV.2.m SOFTWARE VERSION VISUALIZATION

SW version only can be activated always when cook-top is off and only during the first 30 seconds after power up the cooktop:

1. Unplug and Plug the cooktop, and press the sequence (only during the first 30 seconds after power up the cooktop).
2. First press "- timer", (Step 1)
3. Without removing "- timer", 'then press "+ timer" key simultaneously. (Step2)
4. Without removing the finger of '- timer', touch simultaneously 'Front heater selection' key (Step 3).



The display sequence is the following:

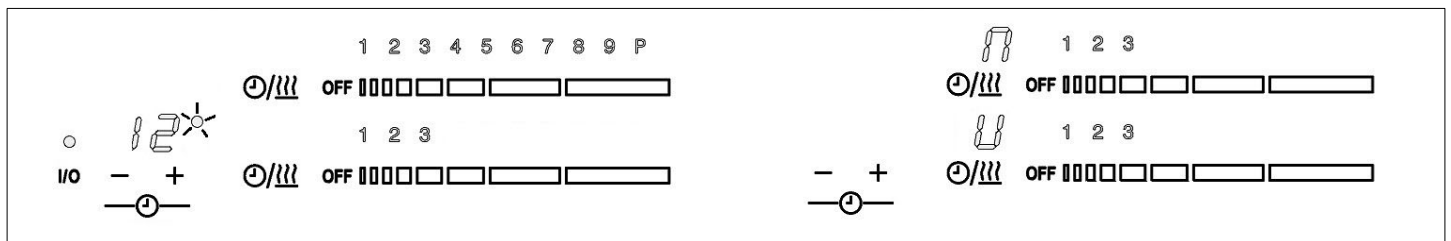
1. First **Touch Sw Version** is displayed during 10s in timer displays. First, “Functional Software Version” is displayed without any dots and any timer LEDs on. Second, “Safety Software version” is displayed with dots and timer LEDs on.
2. Then a short beep is heard and **First Induction Generator Sw version** is displayed. First, “Functional Software version” is displayed without any dots and any timer LEDs on. Second, Safety Software version” is displayed with dots and timer LEDs on.
3. Then another short beep is heard and **Second Induction Generator Sw version** is displayed. First, “Functional Software version” is displayed without any dots and any timer LEDs on. Second, “Safety Software version” is displayed with dots and timer LEDs on.
4. Then another short beep, and the display sequence is finished.
5. If a key is pressed during the Sw Display Sequence, the sequence finished and touch control continued at normal operation.

#### IV.2.n TIMER

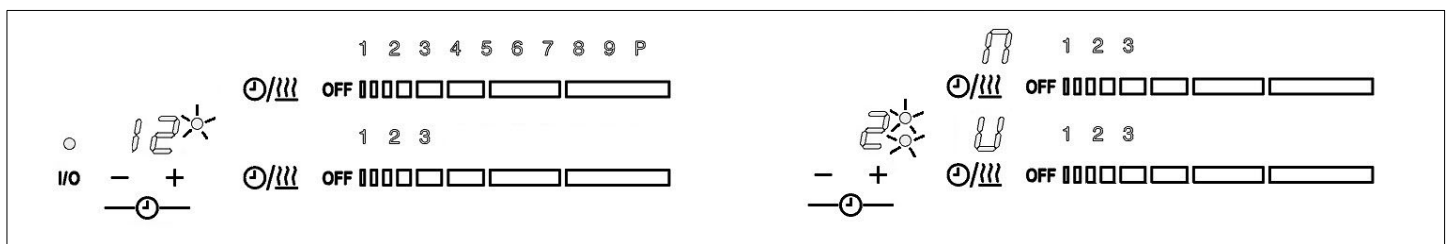
The timer function consists in activating different timers that are assigned to individual cooking zones. "00" is displayed in the digits reserved for the timer. When heater timer is elapsed, the heater is switched off.

- Timer function is activated when “heater’s timer selection/ /Warm key” is pressed, and the heater’s power level is greater than 0.
- Timer LED is blinking indicating that the zone is being timed
- With "+Timer" or "-Timer" keys, timer time can be chosen. A Beeps sounds.
- Pressing simultaneously timer "+/-" keys the timer is cancelled (goes to 00), but the heater has to be selected.
- If timer "+" or "-" keys is maintained pressed during TBD time, there is quick setting timer time.
- When setting timer time, it is possible to go from "00" to "99" with "-" key, and from "99" to "00" with "+" key.
- Maximum time is 99 minutes.

- When the time is elapsed and the hob is beeping, press any key and the alarm and digit sequence will end.
- It is possible to adjust the timer time while the timer is previously running, pressing with a short press on the “Heater’s timer selection / /Warm key”, and user can adjust timer with "+/-" key.
- Power of timed zone can be modified without consequences on the timer programming.
- Last minute will be displayed in seconds.
- Pressing the "+" or "-" keys without pressing heater’s timer selection key, not make nothing.
- Remaining time is displayed in the digits reserved for the timer.



- If Heater 1 and Heater 2 are timed simultaneously (Touch Control of the left): The smallest remaining time is displayed, and the corresponding timer LED is blinking. The other LED is on continuously.
- If Heater 3 and Heater 4 are timed simultaneously (Touch Control of the right): The smallest remaining time is displayed, and the corresponding timer LED is blinking. The other LED is on continuously.





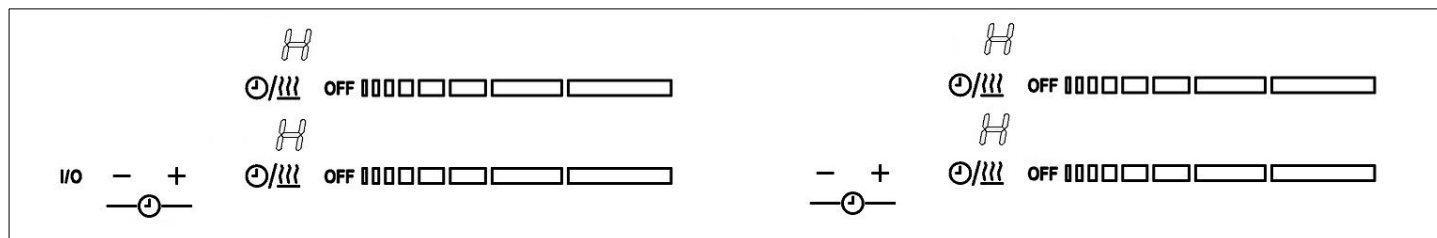
#### IV.2.o AUTOMATIC SAFETY OFF

If the power level is not changed during a preset time, the corresponding heater turns off automatically. The maximum time a heater can stay on, depends on the selected cooking level.


Power level	Max. time on (hours)
1	10
5	5
3	5
4	4
5	3
6	2
7	2
8	2
9	1

#### IV.2.p RESIDUAL HEAT INDICATION

After a zone has been switched off, an “H” will be displayed depending on the temperature determined by the temperature sensor at cooking zone. The “H” will be displayed statically and will not blink.



#### IV.2.q POT DETECTION

When no pot or when un-suitable pot is present after setting a power level, the chosen level and symbol “-u” (small U with bottom line)  will blink with rhythm 1 sec and no power is added.

After 30 sec the zone will be switched off automatically. The timeout of 30 sec for pan detection is not affected by pause mode.

In the touch control bar graph indicates the power level indication; there is no special indication of the pot detection.

#### IV.2.r DISPLAYING SPECIAL STATUSES IN TOUCH CONTROL

The corresponding heater display alternates between two characters depending on the status.

Special status (Visualization Priority Order)	Start conditions	End conditions	Action	Heater status	Heater Display fore	Heater Display back
Power increment not allowed (only for ECO models)	Asked Cooktop power > Cooktop ECO power limit	2 sec	Power increment not allowed	On/Off	'r'	
Heater without suitable pan or without pan	No pan or not suitable pan over the heater	Suitable pan over the heater	After 1 minute Heater off	On	'Power'	'-u'
Induction heater overtemperature	COIL TEMPERATURE > T1 (1)	COIL TEMPERATURE < T2 (1)	No power is delivered to the heater	Off	' ' o 'H'	'C'
				On	'Power'	
Induction generator overtemperature	HEATSINK TEMPERATURE > T3 (1)	HEATSINK TEMPERATURE < T4 (1)	No power is delivered to the heater	Off	' ' o 'H'	'c'
				On	'Power'	
Hot glass over a heater (residual heat)	COIL TEMPERATURE > T5 (1)	COIL TEMPERATURE < T6 (1)	-----	Off	'H'	

(1) For T1, T2, T3, T4, T5 and T6 values see the corresponding drawing.

### IV.3 COOKING ADVICES

#### IV.3.a PAN QUALITY

**Adapted materials:** steel, enameled steel, cast iron, ferromagnetic stainless-steel, aluminum with ferromagnetic bottom.

**Not adapted materials:** aluminum and stainless-steel without ferromagnetic bottom, copper, brass, glass, ceramic, porcelain.

The manufacturers specify if their products are compatible induction.

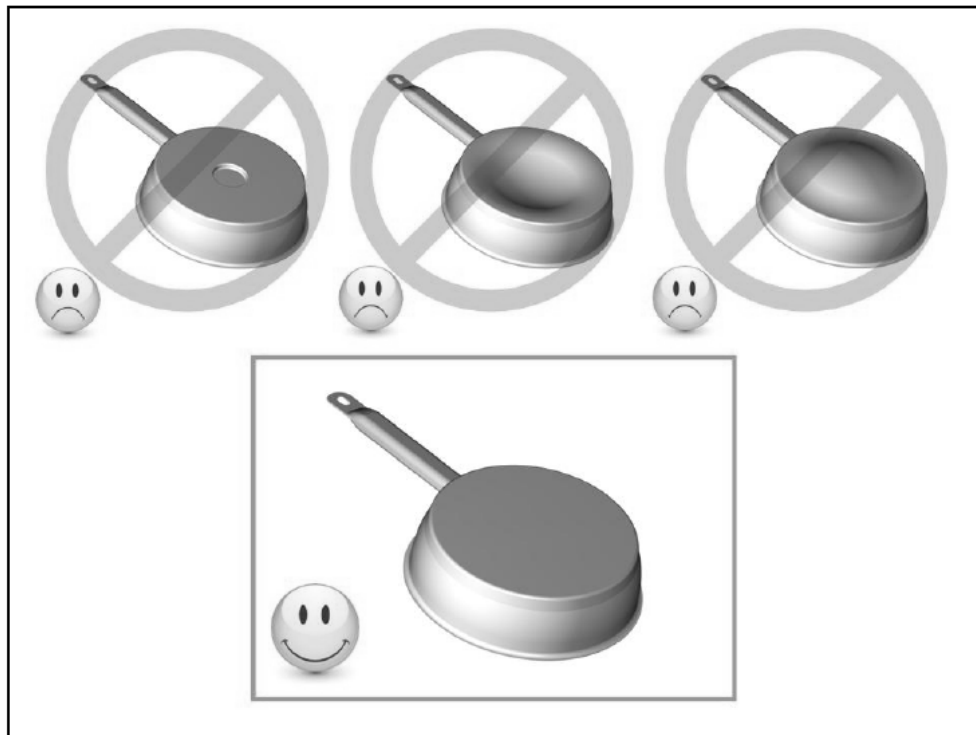
To check if pans are compatibles:

- Put a little water in a pan placed on an induction heating zone set at min. level.

This water must heat in a few seconds.

- A magnet sticks on the bottom of the pan.

Certain pans can make noise when they are placed on an induction cooking zone. This noise doesn't mean any failure on the appliance and doesn't influence the cooking operating.



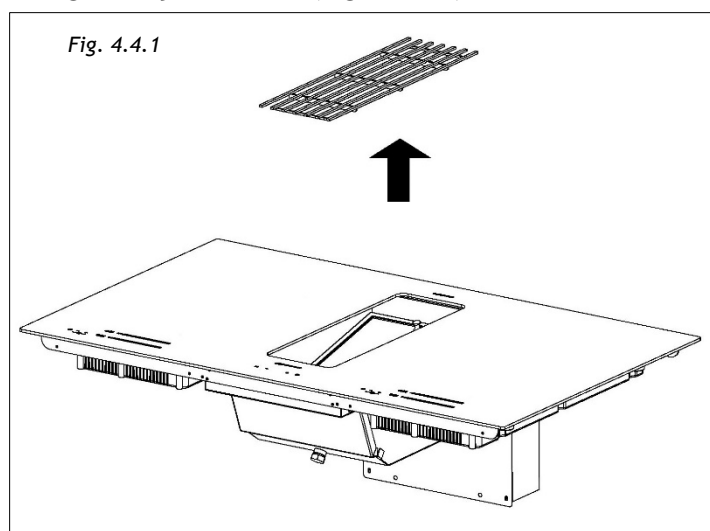
#### IV.3.b PAN DIMENSION

However, the bottom of this pan must have a minimum of diameter according to the corresponding cooking zone.

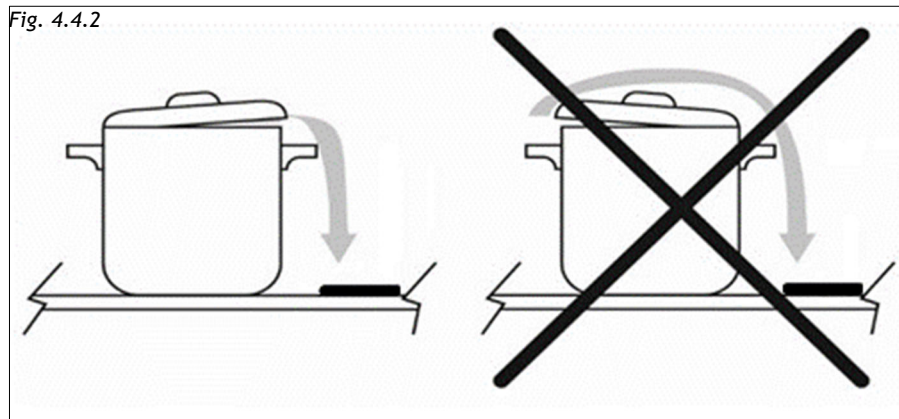
To obtain the best efficiency of your hob, please place the pan well in the center of the cooking Zone.

### IV.4 COOKER HOOD OPERATION

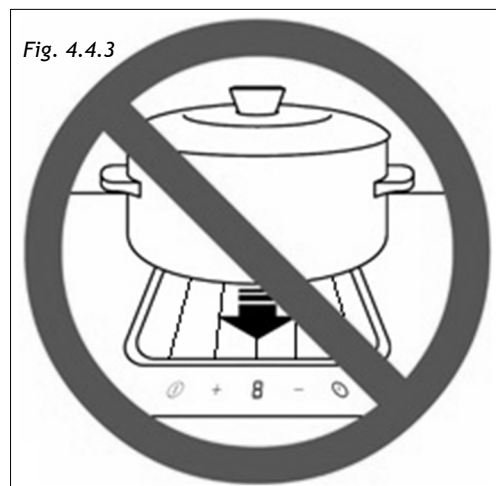
To remove the center grille, just lift it (fig. 4.4.1).



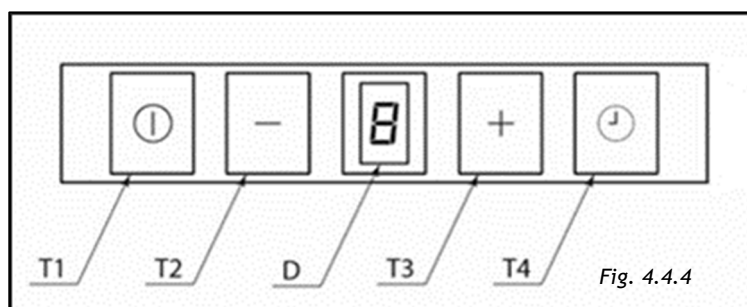
To reach the maximum aspiration try to convert the cooking fumes on the closer side to the aspiration (Fig. 4.4.2).



Do not place any object above the aesthetic frame and above the center grille of the hood (Fig. 4.4.3).



The touch controls are located in front of the aspirator and consist of 4 buttons and a central display (Fig. 4.4.4).



#### IV.4.a ASPIRATION TURN ON

Touching T1 for 1sec the aspiration turns on at 1st speed.

To increase the speed (2nd - 3rd - 4th or booster) touch T3.

To decrease the speed touch T2 (4th or booster - 3rd - 2nd - 1st).

At the 4th speed (booster) the aspiration will work at the maximum speed for 5 minutes after that it will automatically switch to 3rd speed. The display will blink "4" for the first 5 minutes than "3" constantly.

#### IV.4.b ASPIRATION TURN OFF

To turn the hood off touch T1.

Switching off will be possible any speed the aspiration will be working at.

#### IV.4.c CLEANING FUNCTION

In order to allow the cleaning of the hob the cleaning function is inhibiting the touch controls.

The function is activated by pressing T2 key for 5sec. with the hood turned off.

For a minute, the touch control will be inhibited.

During this period the display will show "C". After one minute the device will normally work

#### IV.4.d ADJUSTABLE AND DELAYED SELF-SWITCHING OFF

By pressing T4 adjustable and delayed self-switching off of the aspiration can be activated.

The display shows "D":

With the hood in operation, select the desired speed than press T4 to activate the delayed self - switching off.

The display will show "1" blinking followed by a point, where the point stands for programming phase.

By pressing T2 and T3 respectively the self-switching off time could be adjusted from 1 to 4:

1= 5 minutes

2= 10 minutes

3= 15 minutes

4= 20 minutes

Press again T4 to confirm the programming.

During self-switching off operation, you can change the set speed by using the T2 and T3 keys and manually switch off the hood by pressing the T1 key.

You can also change the self-switching off time once set by pressing the T4 key again and resetting the new time: the count will resume from 0.

With the self-switching off activated the display will show cyclically for 5 seconds the set speed with fix light and for the following 5 seconds the self-switching off setting with blinking light.

If you choose the intensive speed, after 5min the hood will go to the 3rd speed and the self-timer will run at the 3rd speed.

With booster set the aspiration will automatically switch to the 3rd speed after 5 minutes, self-switching off will take place at the 3rd speed.

#### IV.4.e ANTI GREASE FILTER CLEANING ALARM

Every 30 hours' operation, when aspiration is switched off, letter "G" will light up on the display for 30 seconds warning that anti grease filter cleaning is necessary.

To reset the timer press T3 for 5 seconds while aspiration is switched off, otherwise the device will give the same warning the next time aspiration is switched off.

#### IV.4.f CHARCOAL FILTER REPLACING ALARM

Every 120 hours' operation, when the hood is switched off, the display will show "S" for 30 seconds reminding the washing or substitution of the charcoal filters (when installed). To reset the timer, keep the T3 key pressed for 5 seconds with aspiration switched off, otherwise the device will give the same warning the next time aspiration is switched off.

The warning will be reported even if the hood is not in filtering mode: in this case proceed with the ordinary cleaning of the anti-grease filter and reset the warning.

#### IV.4.g PRESENCE OF LIQUIDS INSIDE THE DEVICE

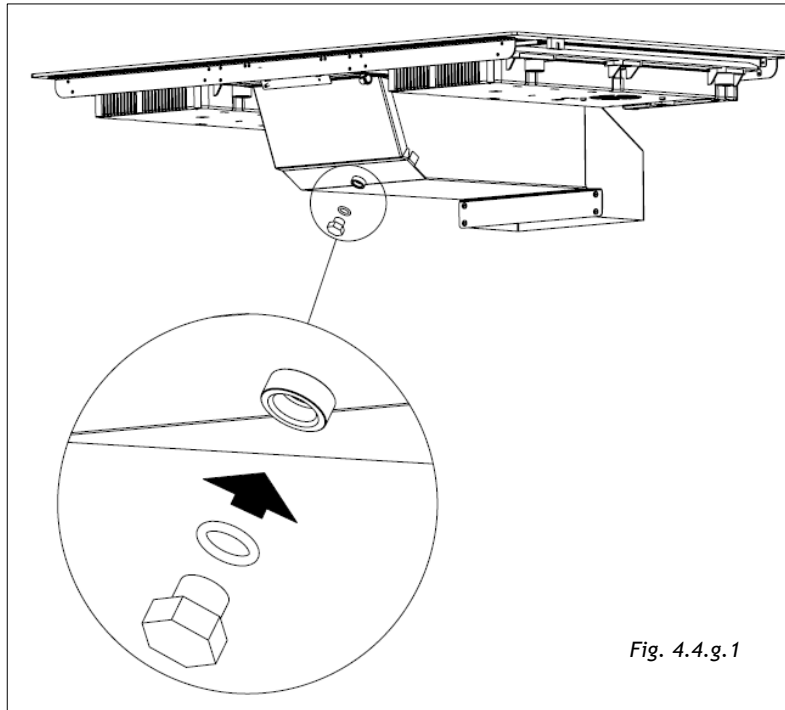
The hood is equipped with a liquid collection tray.

Pay attention, periodically, to the presence of liquids in the tray and empty it by removing the cap (Fig. 4.4.g.1).

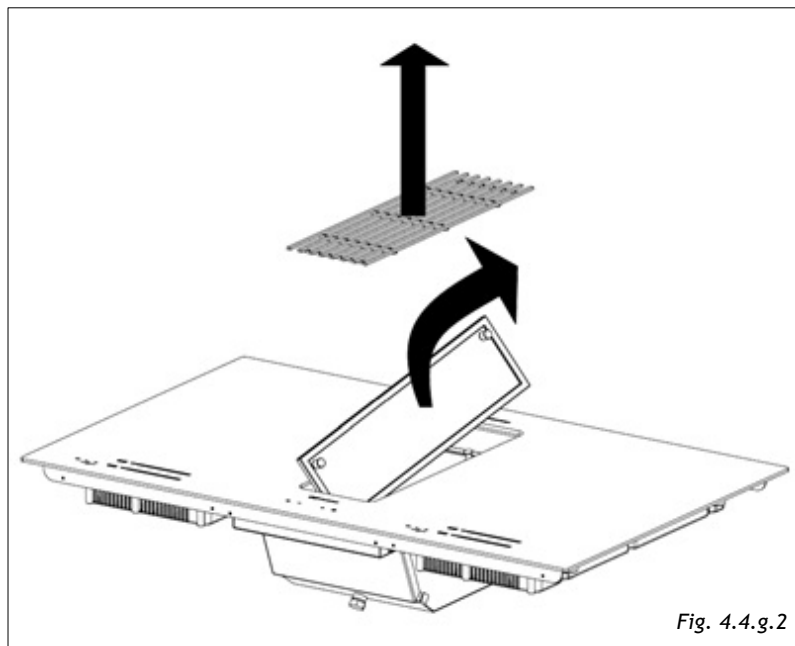
It is recommended to position the container for collecting liquids under the cap.



**CAUTION! Electrically disconnect the mains plug before any service operation. (Fig. 2.1 - Fig. 2.2 WARNINGS chapter)**



To optimize the intervention, we also recommend cleaning and drying the entire interior of the hood. Then remove the center grille in support and remove the grease filter by lifting it from the appropriate knob (Fig.4.4.g.2)



After doing these operations, you can clean and dry the inside of the tray from above. After cleaning, reposition all the components and the grid by performing the above operations (Fig. 4.4.g.2) in reverse order.

## V CLEANING AND MAINTENANCE



**CAUTION!** Before any service or cleaning operation disconnect the device from the power supply (Fig.2.1-Fig.2.2 WARNINGS chapter).

### V.1 INDUCTION HOB CLEANING

#### **Switch-off the appliance before cleaning.**

Do not clean the hob if the glass is too hot because they are **risk of burn**.

- Remove light marks with a damp cloth with washing up liquid diluted in a little water. Then rinse with cold water and dry the surface thoroughly.
- Highly corrosive or abrasive detergents and cleaning equipment likely to cause scratches must be absolutely avoided.
- Do not ever use any steam-driven or pressure appliance.
- Do not use any object that may scratch the ceramic glass.
- Ensure that the pan is dry and clean. Ensure that there are no grains of dust on your ceramic hob or on the pan. Sliding rough saucepans will scratch the surface.
- Spillages of sugar, jam, jelly, etc. must be removed immediately. You will thus prevent the surface being damaged.

### V.2 COOKER HOOD CLEANING

The hood must be cleaned immediately after installing and removing the protective film in order to remove any residual glue or impurities of any kind.

The hood must be cleaned frequently both internally and externally (at least once a month).

Do not allow dirt to accumulate on the outer and inner surfaces of the hood.

The central grille can be washed in the dishwasher.

#### **Warning! Products that are NOT to be used are:**

Products containing chlorides, especially those containing hydrochloric acid;

Halide based products;

Hydrogen peroxide products;

Hypochlorous acid-based bleaches;

Acid-containing aggressive products;

Detergents containing abrasive powder;

Silver cleaning products;



Detergents whose chemical composition is unknown;

Abrasive wipes, brushes or disc;

Coarse cloths or rough paper;

Tools that have previously cleaned other metals or alloys.

### **Ordinary cleaning**

Ordinary cleaning should be performed before excessive build-up of dirt can occur which can cause abrasive phenomena.

Before performing the washing operations, any dust particles should be removed by air or aspirated, so as to avoid rubbing on the surface.

Where water has been used as a means of cleaning or rinsing, especially in areas with significant limestone, it is recommended to dry the surface to prevent staining.

To avoid contamination caused by iron particles, make sure that the tools selected for cleaning have not previously been used on other metals or alloys.

Materials for cleaning stainless steel products must be exclusively reserved for this purpose. Special attention should be paid to the grease filter, which has the function of retaining the fat particles contained in the vapors, and the grease collector, which has the function of collecting the fat that could fall from the grease filter. Both of these items should be washed when the relevant warning appears or at least once a month in hot water and detergent (even in dishwasher).

The filter may become discolored after washing. This is normal and does not mean it needs to be replaced.

To carry out the maintenance of the grease filter, it is essential to remove them from the hood.

To remove the metallic grease filter, proceed as indicated in the section IV.4.g PRESENCE OF LIQUIDS INSIDE THE DEVICE).

The charcoal filter, if present, must be washed or replaced when the relevant warning appears (see the section IV.4.f CHARCOAL FILTERS CLEANING ALARM).

Ask for the filter to the manufacturer.

To wash or replace the charcoal filter, check the instruction manual of the kit separately purchased.

## VI WHAT TO DO IN CASE OF A PROBLEM

**WARNING!** During the warranty period repairs can only be carried out by authorized service staff.



### CAUTION!

**Before any service or maintenance, disconnect the power supply of the device (Fig.2.1 - Fig. 2.2 WARNINGS chapter)**

- Unauthorized repairs or services may cause electric shock or short circuit, so do not run them. Leave these jobs to authorized personnel only.
- In the case of minor disturbances, try to solve the problem by following the instructions in the operating instructions.
- Elimination of faults or complaints caused by improper use or installation of the appliance will not be warranted. The repair costs will be borne by the user.

### VI.1 ERRORS / ALARMS

The corresponding heater display alternates between two characters depend on the Error.



Event	Action	Error on Display
ON-OFF Safety error	Off (*)	FA
Software Safety error	Off (*)	F0
Capacitive key sensitivity error	Off (*)	Fb
NTC Short-circuit error	Off (*)	FE
NTC open error	Off (*)	Ft
Extra temperature error	Off (*)	Fc
Eeprom memory error	Off (*)	FH
PWM digital frequency signal error	Off (*)	FC
PWM digital signal level error	Off (*)	Fd
ADCmux - keyboard error	Off (*)	FJ
ExtMUX keyboard error	Off (*)	FU
Relay Output Test error	Off (*)	Fr

Off (\*) = All cooking zones are switched Off and locked

## VII DISCONTINUATION, DISASSEMBLY AND WASTE DISPOSAL

### VII.1 DISCONTINUATION

- Discontinuation means the definitive stop of the operation and the disassembly or the appliance.
- After discontinuation the appliance can be installed on another furniture, privately resold or disposed of.

	<b>CAUTION!</b> For discontinuation it is necessary to switch the appliance off and disconnect the power (Fig. 2.1 - Fig. 2.2 WARNINGS chapter).
	<b>CAUTION!</b> Electrical disconnection and must be undertaken only by qualified service staff.

### VII.2 DISASSEMBLY

- Disassembly requires that the appliance is accessible for disassembly and has been disconnected from the power supply.

To do so, you need:

- Loose screws and fixing brackets
- Remove any silicone seals
- Disconnect the motor and the channel from the hob
- Take the top of the hob out.

### VII.3 ENVIRONMENT PRESERVATION

- The materials of packing are ecological and recyclable.
- The electronic appliances are composed of recyclable, and sometimes harmful materials for the environment, but necessary to the good running and the safety of the appliance.

### VII.4 WASTE DISPOSAL



This appliance is marked in accordance with the European Directive 2012/19/EC,

Waste Electrical and Electronic Equipment (WEEE).

The symbol on the product or on the packaging indicates that the product should not be considered as a normal household waste, but must be taken to the appropriate collection point for the recycling of electrical and electronic equipment.

By appropriately dispose of this product, it helps to avoid potential negative consequences for the environment and health that may result from inappropriate disposal of the product. For more detailed information

on recycling this product, contact your local office, local waste disposal service, or the shop where you purchased the product.



GALVAMET S.r.l. UNIPERSONALE - Viale dell'Industria, 10 - 35014 Fontaniva (PD) - Italy  
Tel. +39 049 5942144 - Fax +39 049 5940061 - e-mail: [info@galvamet.it](mailto:info@galvamet.it) - web: [www.galvamet.it](http://www.galvamet.it)